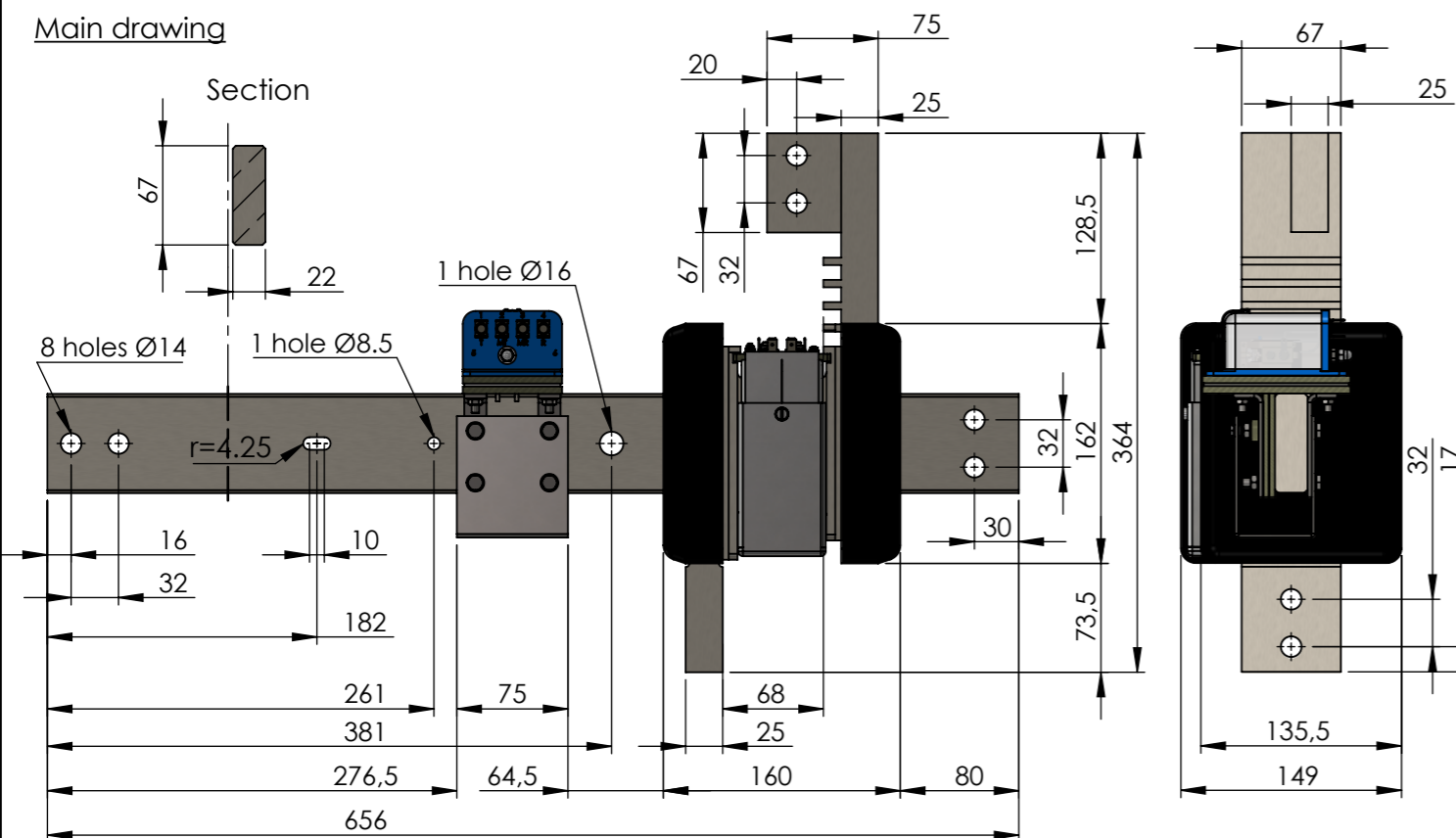


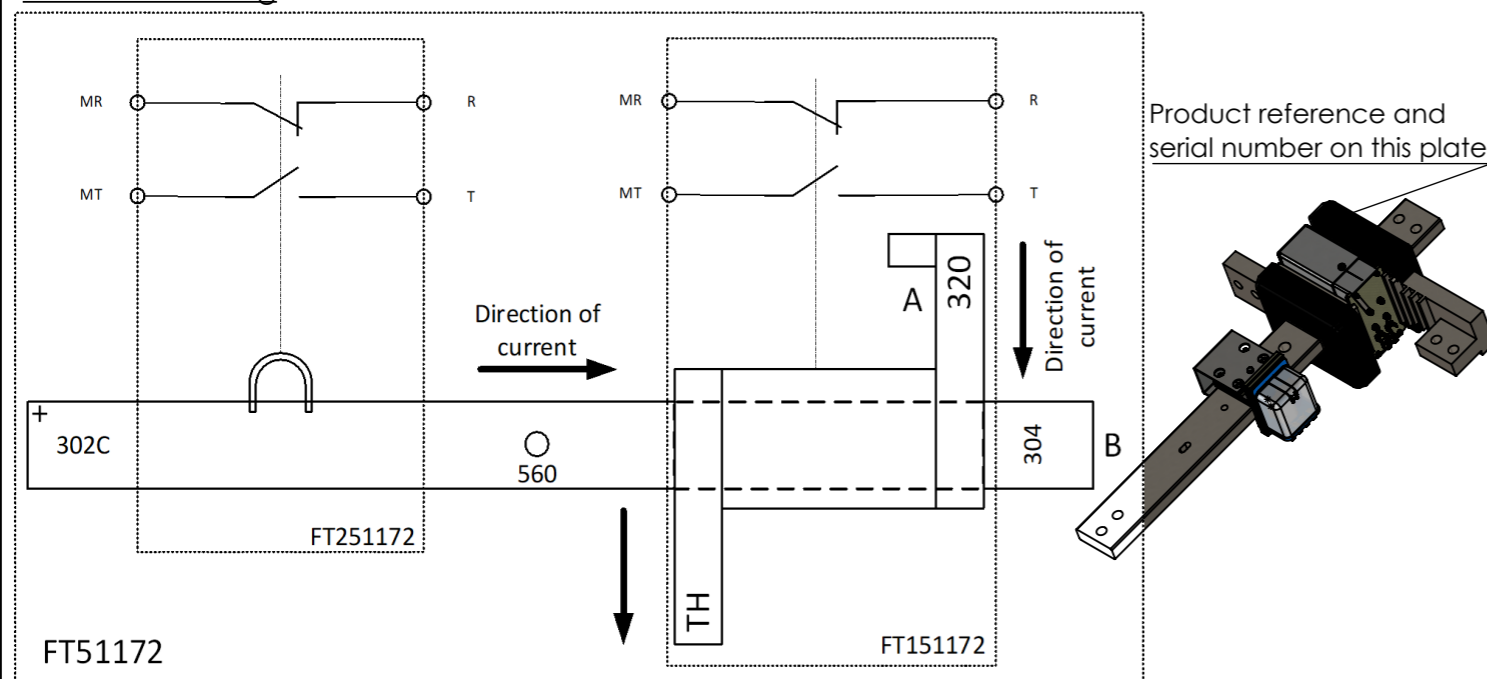
Généralités

GM differential relay mounted with BB relay on the same bar for the QD - Q (SUR) DJ (C) functions. Application for BB 26000.

Main drawing



Electrical drawing



Generality

Reference standard

Electrical Characteristics

Normes références

Entitled	Standard
Electrical equipment :	NF EN 60077/ IEC 60077
Traction network supply :	NF EN 50163
Shock and vibration :	NF EN 61373
Salt mist :	96h/ NF EN 60068-2-11
Fire and smoke :	EN 45545

Caractéristiques électriques

FT151172 : QD  
 Nominal current/ Voltage : 4000 Adc  
 Pick up Value :  $\Delta$  200 Adc Tolerances :  $\pm$  20 A between A and B

Main Characteristics

Caractéristiques principales

Main

Type of Relay : Specific relay  
 Type of current : DC  
 Type of Housing : Other specific  
 Auxiliary voltage : No  
 Weight : 20.9 Kgs

FT251172 : Q(SUR)DJ(C)  
 Nominal current/ Voltage : 4000 Adc  
 Pick up Value : 11000 Adc Tolerances : N.A.  
 Drop out Value : Power cut

Contacts

Number of Contacts : Other specific  
 Contacts metalurgy : Ag/ Pd  
 Contacts rating : 90 VDC - 0.3 A - L/R=30 ms  
 Electrical lifetime :  $> 10^6$  Operations  
 Contact resistance :  $< 20$  mOhms

Further information

Informations complémentaires

Dielectric strength checks

Essais diélectriques

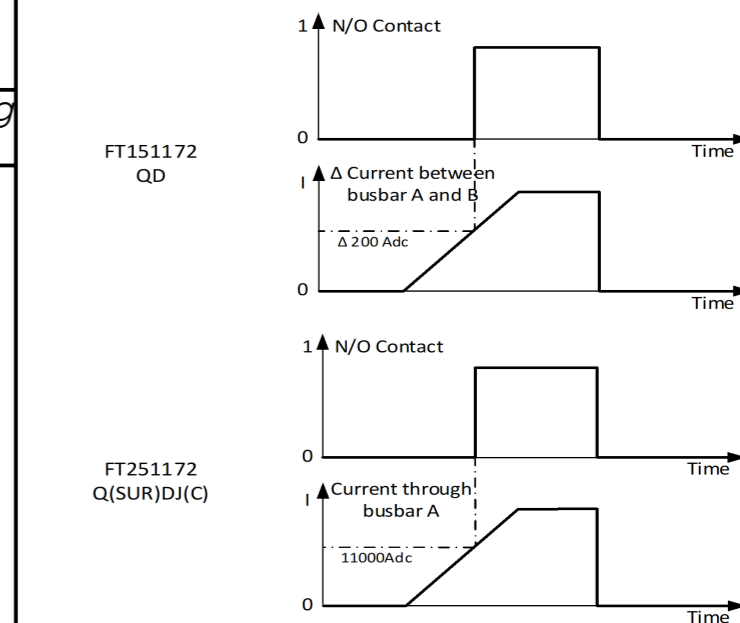
10 Kv Between busbar B and busbar A with contacts and earth  
 1.5 Kv Between each contact (on these 2 relays)  
 2.5 Kv Between busbar A and GM relay contacts

Environment

Operating temperature :  $-25^{\circ}\text{C} \dots +70^{\circ}\text{C}$   
 Storing temperature :  $-40^{\circ}\text{C} \dots +85^{\circ}\text{C}$   
 Mounting position : Any attitude

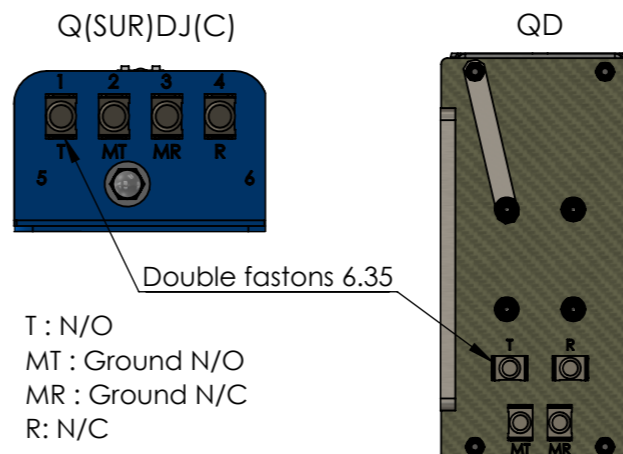
Operating function

Fonction opératoire



Connections & marking

Connections & gravage



T : N/O  
 MT : Ground N/O  
 MR : Ground N/C  
 R : N/C

Additional information

Caractéristiques Supplémentaires

Fonction(s) client : QD - Q(SUR)DJ(C) N°(s) spécification : N.A. Symbole SNCF : 0.823.2552

B	Modification N°00187	01/03/1991	
REVISION	DESCRIPTION	DATE	APPROVED BY

REVISIONS			
21602	Drawing type	N° SNCF	N° MANUFACTURER
10-5082-535	Outline drawing	10-5082-538	1-10313
	QD	10-5082-536	151172
	Q(SUR)DJ(C)	10-5082-537	251172

NOM/ NAME	DATE	Entreprise/ Company :	DÉSIGNATION DU PRODUIT/ PRODUCT DESIGNATION:
Forli Frederic	25/08/2021	TECHNO-ELEC SAS	DC overload differential relay
		Adresse/ Address :	
		ZI de la castine, rue des sapins	
		54730 - GORCY - FRANCE	
		Marque déposée/ Brand name :	RÉFERENCE FICHE TECHNIQUE/ DATASHEET REFERENCE:
		TECHNO-ELEC - SERVO CONTACT	FT51172
		ECHELLE:1:5	FEUILLE 1 SUR 1
This drawing is the property of TECHNO-ELEC; It can't be reproduced or communicated without our written agreement.			

