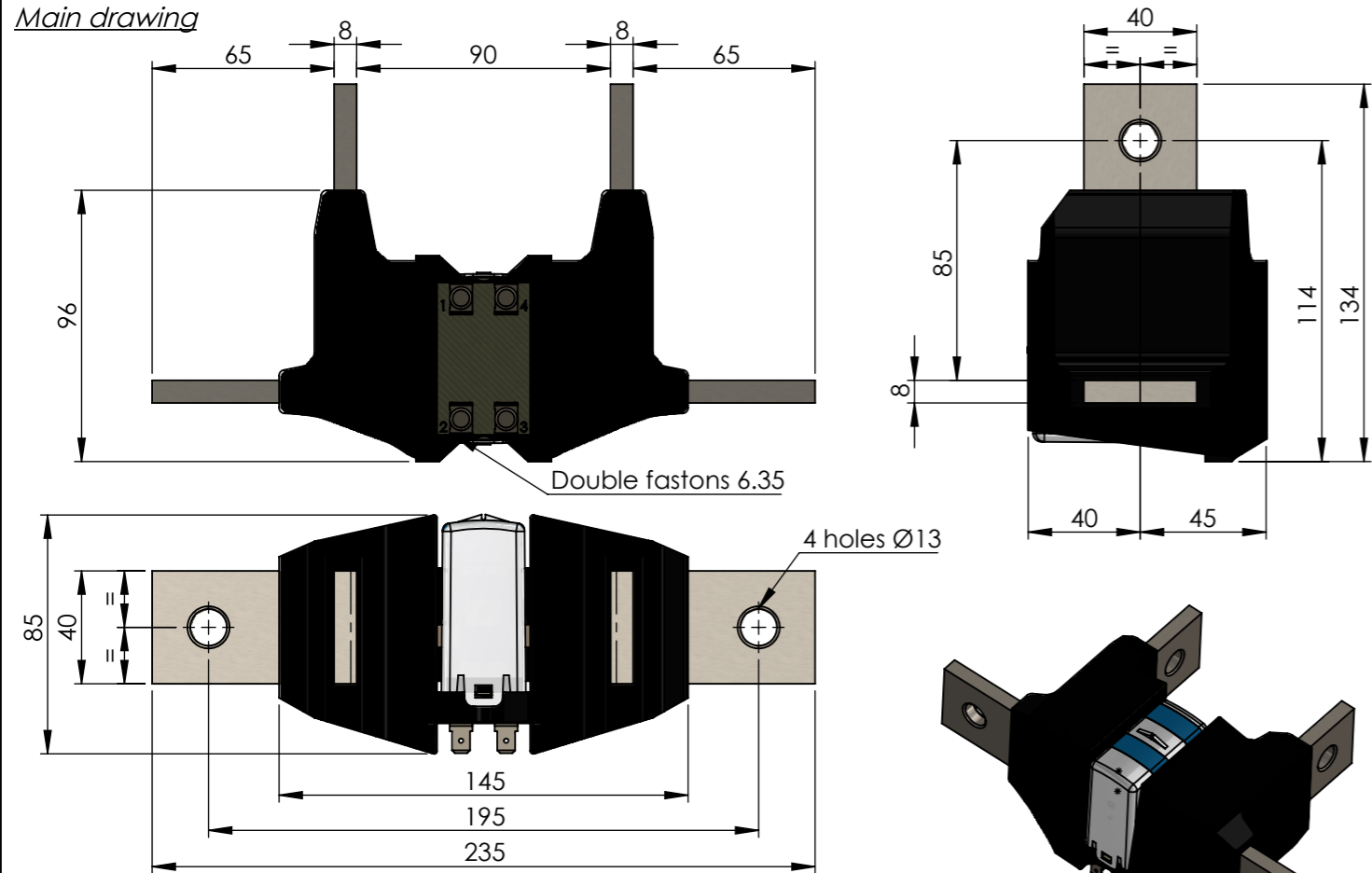


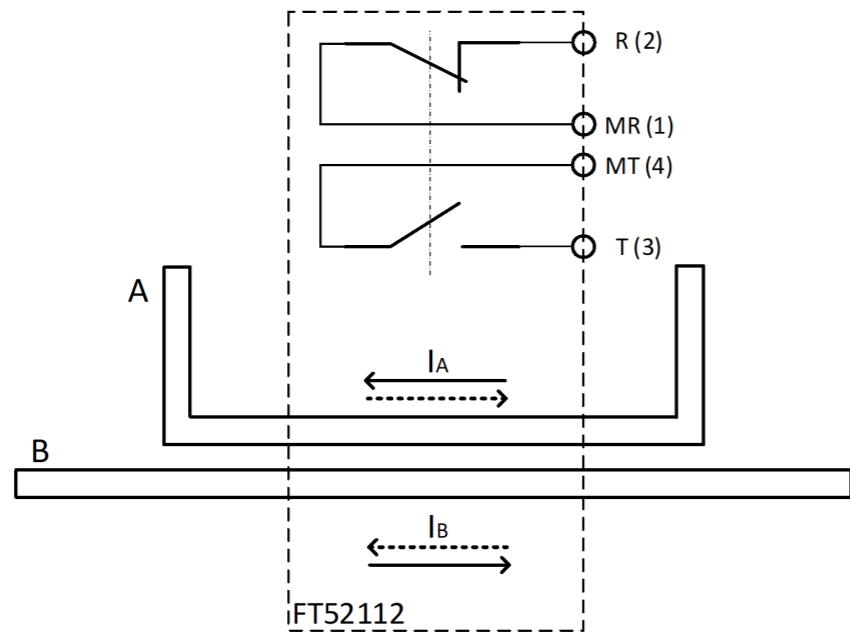
*Généralités*

Designed for onboard applications. Differential relay used to detect differential current between its two bars. based on 40x8 busbar for QDI function.

*Main drawing*



*Electrical drawing*



*Generality*

*Reference standard*

*Electrical Characteristics*

*Normes références*

Entitled	Standard
Electrical equipment :	NF EN 60077/ IEC 60077
Traction network supply :	NF EN 50163
Shock and vibration :	NF EN 61373
Salt mist :	96h/ NF EN 60068-2-11
Fire and smoke :	EN 45545

*Caractéristiques électriques*

*Circuit primaire/ Primary circuit*

Nominal current/ Voltage :	800 Adc
Max. perm. Current/ Voltage :	1600 Adc
Pick up Value :	80 Adc Tolerances : ±10%
Drop out Value :	50% of pick up value Tolerances : ±10%
Latching/ BP reset :	No
Push button test :	No
Timer relay :	No
Operating time ≤	20 ms

*Main Characteristics*

*Caractéristiques principales*

<i>Main</i>	
Type of Relay :	Current relay
Type of current :	DC
Type of Housing :	DIFF
Auxiliary voltage :	No
Weight :	2.1 Kg

*Further information*

*Informations complémentaires*

Maximum short time current allowed : according to ambient temperature at 40°C  
 For 50 ms : 110 kA | For 100 ms : 80 kA | For 200 ms : 55 kA |  
 For 250 ms : 50 kA | For 500 ms : 35 kA

*Dielectric strength checks*

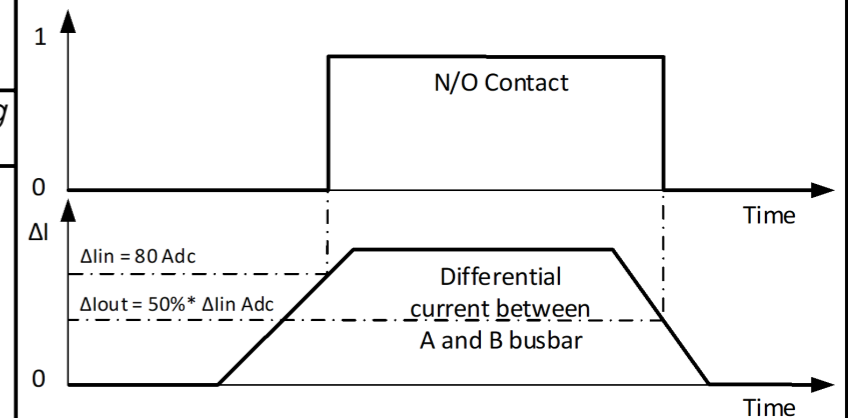
*Essais diélectriques*

*Kv - 50 Hz*

10 Kv	Between primary (Bar A + B) and secondary
1.5 Kv	Between each contact
10 Kv	Between Bar A and Bar B

*Operating function*

*Fonction opératoire*



*Connections & marking*

*Connections & gravage*



- 3 : N/O
- 4 : Ground N/O
- 1 : Ground N/C
- 2 : N/C

Product reference and serial number put on the top plate of the housing.

*Additional information*

*Caractéristiques Supplémentaires*

Fonction(s) client : QDI N°(s) spécification : TRVS 348 906 B Symbole/ Article : N.A.

REVISION	DESCRIPTION	DATE	APPROVED BY
C	Fire and smoke standard updated	05/06/2015	Remy Altmeyer
B	Marking informations added	02/12/2014	Remy Altmeyer
A	Issue of document	06/08/2014	Remy Altmeyer

REVISIONS

	NOM : Samuel Hadiouche AUTEUR : FT DATE : 18/07/2019	Entreprise/ Company : TECHNO-ELEC SAS Adresse/ Address : ZI de la castine, rue des sapins 54730 - GORCY - FRANCE	DÉSIGNATION DU PRODUIT/ PRODUCT DESIGNATION : Differential relay QDI
	Marque déposée/ Brand name : TECHNO-ELEC - SERVO CONTACT		RÉFÉRENCE FICHE TECHNIQUE/ DATASHEET REFERENCE : FT52112
ECHELLE:1:2		FEUILLE 1 SUR 1	
This drawing is the property of TECHNO-ELEC; It can't be reproduced or communicated without our written agreement.			