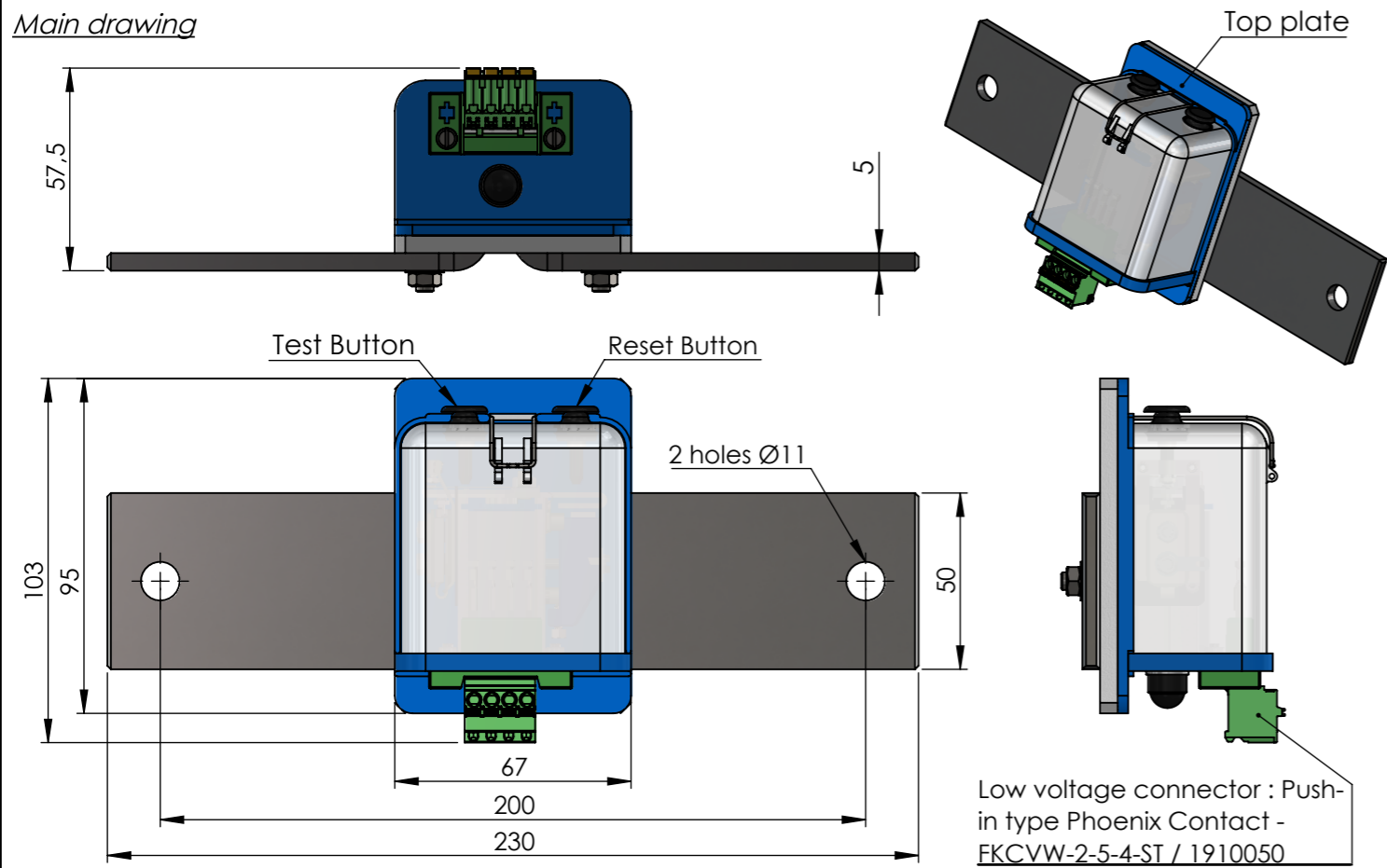


Généralités

PM relay type under BB housing mounted on 50x5 busbar. Mainly connected between earth and frame in order to detect earth fault in substations.

Main drawing



Generality

Reference standard

Electrical Characteristics

Normes références

Entitled	Standard
Electrical equipment :	NF EN 60077/ IEC 60077
Traction network supply :	NF EN 50163
Shock and vibration :	NF EN 61373
Salt mist :	96h/ NF EN 60068-2-11
Fire and smoke :	EN 45545

Caractéristiques électriques

Circuit primaire/ Primary circuit

Nominal current/ Voltage :	N.A.
Max. perm. Current/ Voltage :	160 Adc
Pick up Value :	[12:100] Adc Tol. : ± 10%
Drop out Value :	Push button Tol. : N.A.
Latching/ BP reset :	Yes
Push button test :	Yes
Timer relay :	No

Main Characteristics

Caractéristiques principales

Main	
Type of Relay :	Current relay
Type of current :	DC
Type of Housing :	BB
Auxiliary voltage :	No
Weight :	0.80 Kg

By default, relay is settled to pick up at 20 Adc.  
For response time information, check graph on the left

Further information

Informations complémentaires

Maximum short time current allowed : according to ambient temperature at 40°C  
For 100 ms : 20 kA | For 200 ms : 13 kA | For 400 ms : 09 kA | For 500 ms : 08 kA

Relation between AC and DC for pick up setting value (±10%):  
12 Acc = 10.5 Aac | 20 Acc = 17 Aac | 30 Acc = 25.5 Aac | 40 Acc = 34 Aac

Contacts

Number of Contacts :	1 N/O - 1 N/C
Contacts metalurgy :	Ag/ Pd
Contacts rating :	90 VDC - 0.3 A - L/R=30 ms
Electrical lifetime :	> 10 <sup>6</sup> Operations
Contact resistance :	< 20 mOhms

Dielectric strength checks

Essais diélectriques

Kv - 50 Hz

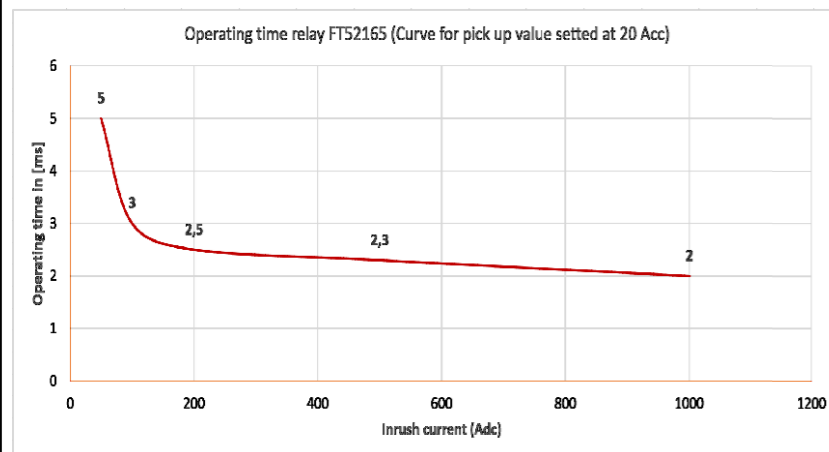
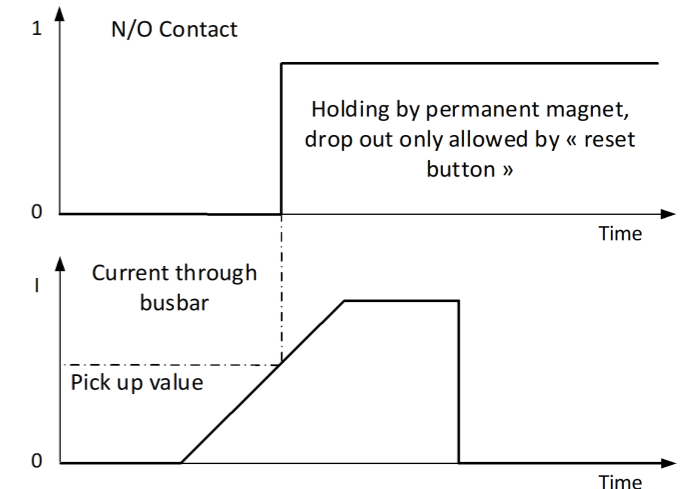
12 Kv	Between primary and secondary
2 Kv	Between each contact

Environment

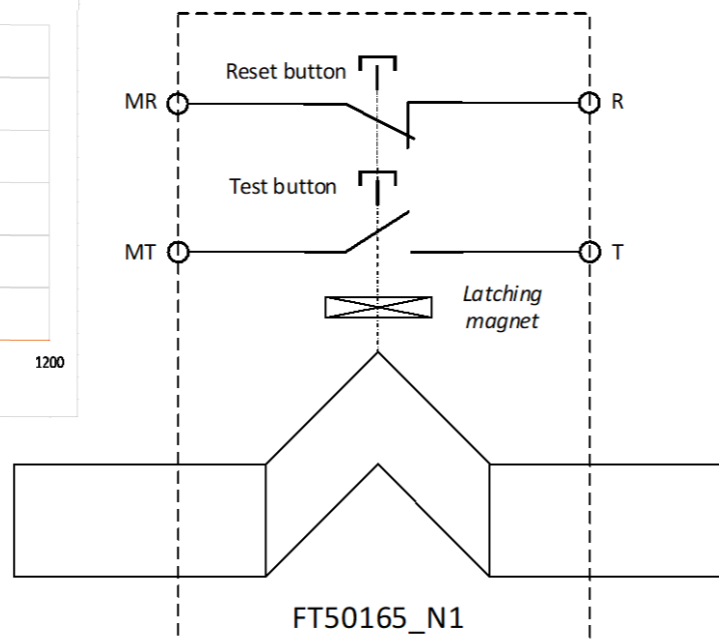
Operating temperature :	-25°C...+70°C
Storing temperature :	-40°C...+85°C
Mounting position :	Any attitude

Operating function

Fonction opératoire

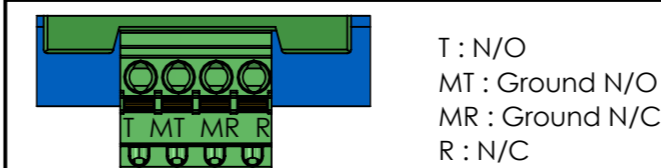


Electrical drawing



Connections & marking

Connections & gravage



Relay reference and serial number engraved on the top plate.  
Pickup setting value marked on the front face.

Additional information

Caractéristiques Supplémentaires

Fonction(s) client : N.A. N°(s) spécification : N.A. Symbole/ Article : N.A.

NOM	DATE	Entreprise/ Company :	DÉSIGNATION DU PRODUIT/ PRODUCT DESIGNATION:
AUTEUR. FT Thibaud Colodie	04/11/2020	TECHNO-ELEC SAS Adresse/ Address : ZI de la castine, rue des sapins 54730 - GORCY - FRANCE	Earth fault detection current relay
		Marque déposée/ Brand name : TECHNO-ELEC - SERVO CONTACT	RÉFÉRENCE FICHE TECHNIQUE/ DATASHEET REFERENCE: <b>FT52165_N1</b>
This drawing is the property of TECHNO-ELEC; It can't be reproduced or communicated without our written agreement.		ECHELLE:1:2	FEUILLE 1 SUR 1

REVISION	DESCRIPTION	DATE	APPROVED BY
A	Issue of initial specification from FT52165	04/11/2020	Thibaud Colodie