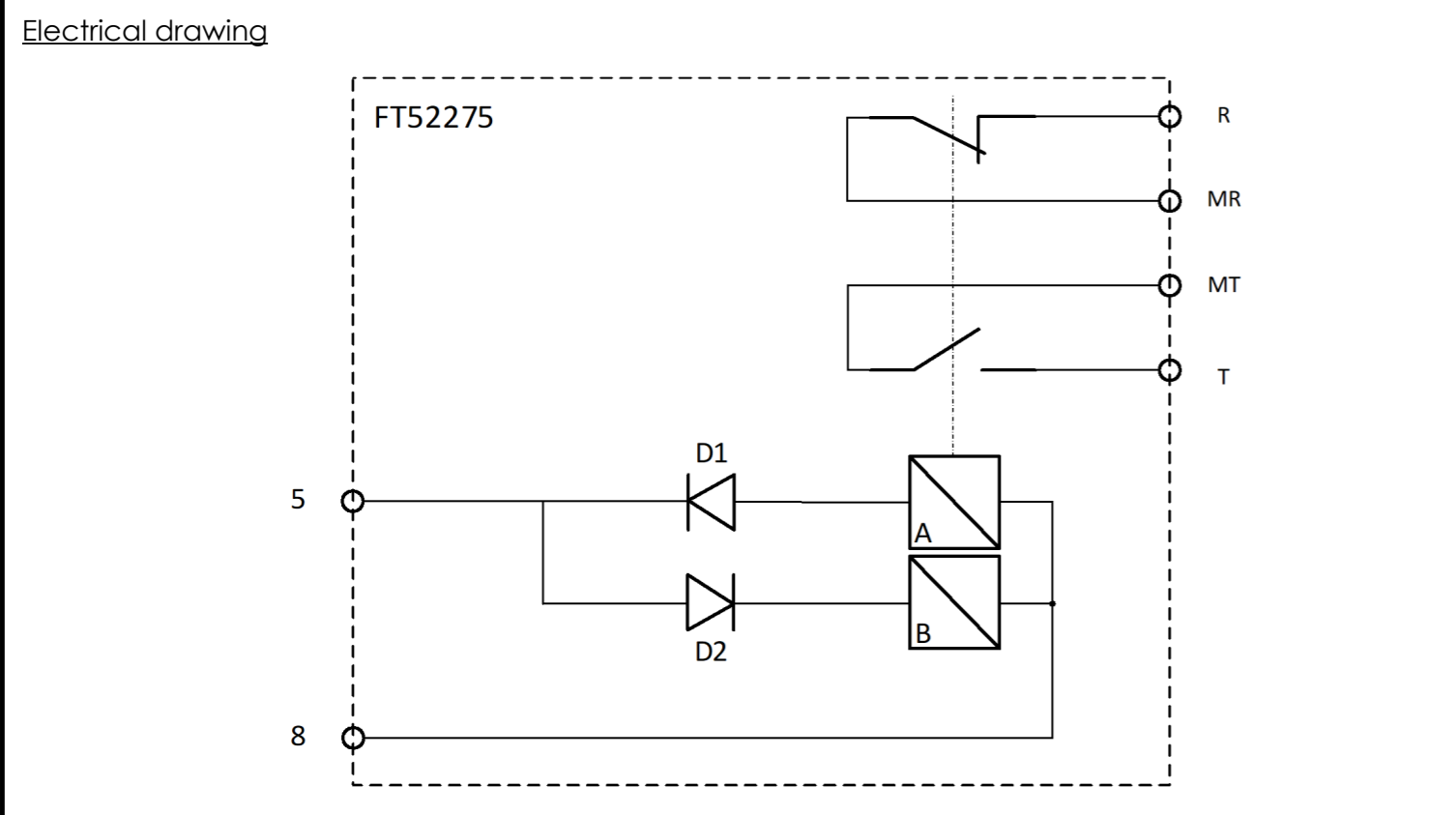
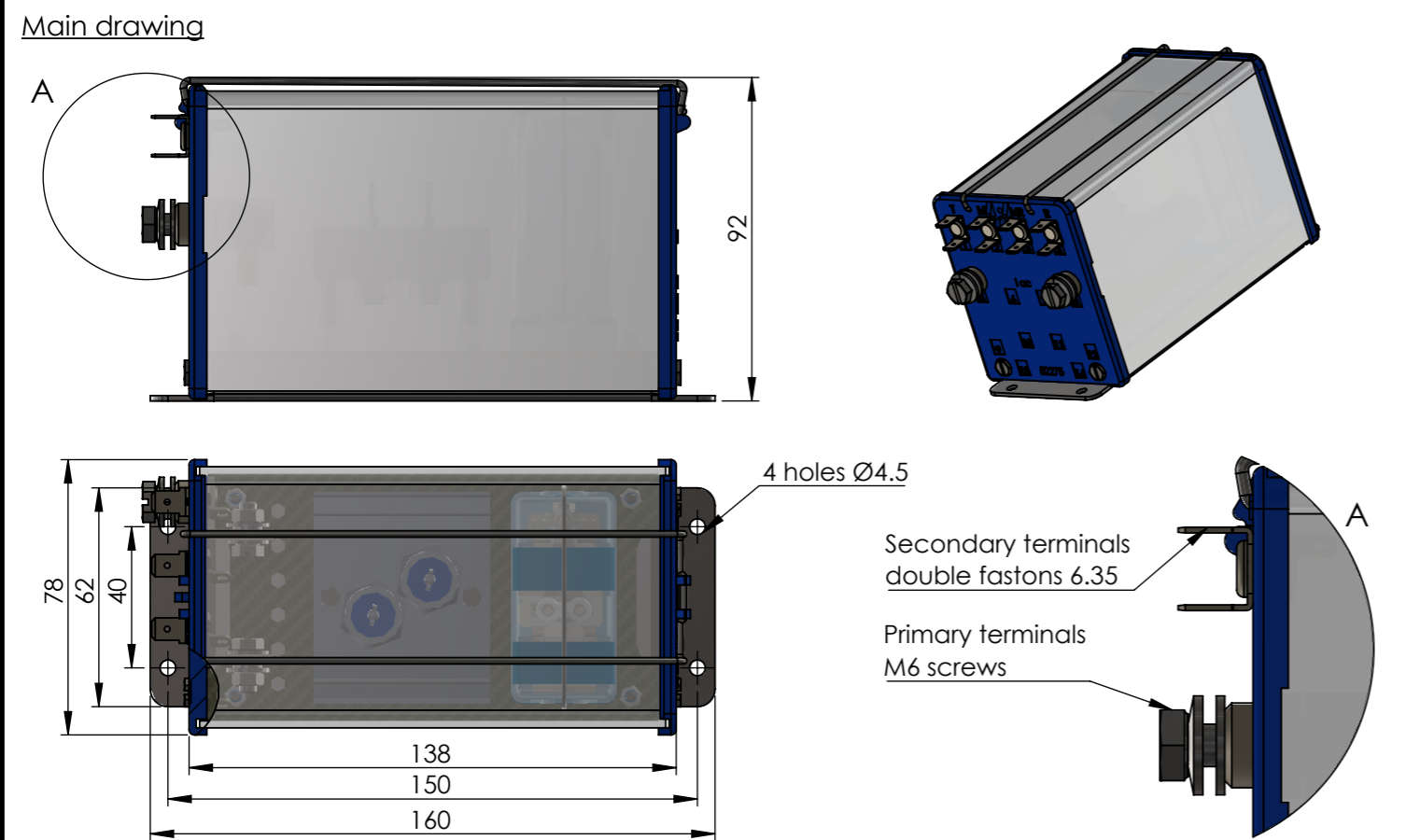


**Généralités** / **Generality** / **Reference standard** / **Electrical Characteristics**

Alternative current PM relay under SCD housing with components, all mounted under MK160 housing for QL-RM4-AUX function. Applications for Corea TGV.

*Normes références* / *Caractéristiques électriques* / *Circuit primaire/ Primary circuit*



Entitled	Standard
Electrical equipment :	NF EN 60077/ IEC 60077
Traction network supply :	NF EN 50163
Shock and vibration :	NF EN 61373
Salt mist :	96h/ NF EN 60068-2-11
Fire and smoke :	N.A.

Nominal current/ Voltage :	1.8 Aac	
Max. perm. Current/ Voltage :	N.A.	
Pick up Value :	4.5 Aac 60Hz	Tolerances : +0.4 Aac
Drop out Value :	Power Off	Tolerances : N.A.

**Main Characteristics** / *Caractéristiques principales*

**Main**

Type of Relay : Current relay  
 Type of current : AC

Type of Housing : MK160  
 Auxiliary voltage : No  
 Weight : 0.8 Kgs

**Contacts**

Number of Contacts : 1 N/O - 1 N/C  
 Contacts metalurgy : Ag/ Pd  
 Contacts rating : 90 VDC - 0.3 A - L/R=30 ms  
 Electrical lifetime : > 10<sup>6</sup> Operations  
 Contact resistance : < 20 mOhms

**Environment**

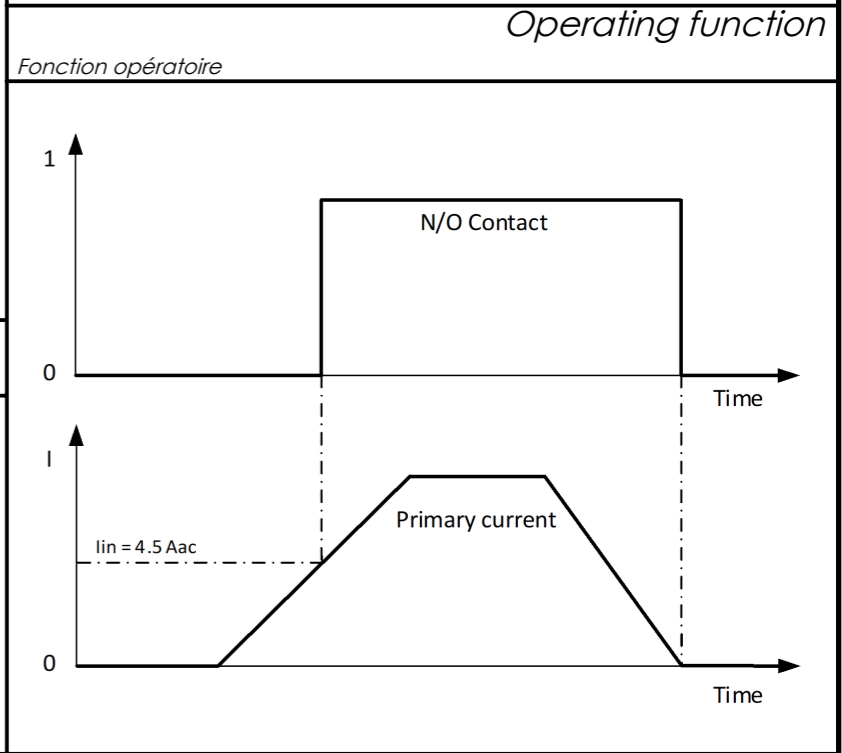
Operating temperature : -25°C...+70°C  
 Storing temperature : -40°C...+85°C  
 Mounting position : Any attitude

**Further information** / *Informations complémentaires*

N.A.

**Dielectric strength checks** / *Essais diélectriques* / *Kv - 50 Hz*

1.5 Kv Between measure circuit and contacts with earth  
 1.5 Kv Between earth and other  
 1.5 Kv Between R and T contact



**Connections & marking** / *Connections & gravage*

T : N/O  
 MT : Ground N/O  
 MR : Ground N/C  
 R : N/C  
 5-8 : Input Iac

Product reference and serial number engraved on this plate

**Additional information** / *Caractéristiques Supplémentaires*

Fonction(s) client : QL-RM4-AUX      N°(s) spécification : TGLS 300 044 4      Symbole/ Article : N.A.

REVISION	DESCRIPTION	DATE	APPROVED BY
B	Modification N°00742	29/07/1996	

**TECHNO-ELEC**

Entreprise/ Company : TECHNO-ELEC SAS  
 Adresse/ Address : ZI de la castine, rue des sapins 54730 - GORCY - FRANCE

DÉSIGNATION DU PRODUIT/ PRODUCT DESIGNATION: **Auxiliary rectifier traction engine overload relay**

Marque déposée/ Brand name : TECHNO-ELEC - SERVO CONTACT

RÉFÉRENCE FICHE TECHNIQUE/ DATASHEET REFERENCE: **FT52275**

FEUILLE 1 SUR 1

This drawing is the property of TECHNO-ELEC; It can't be reproduced or communicated without our written agreement.