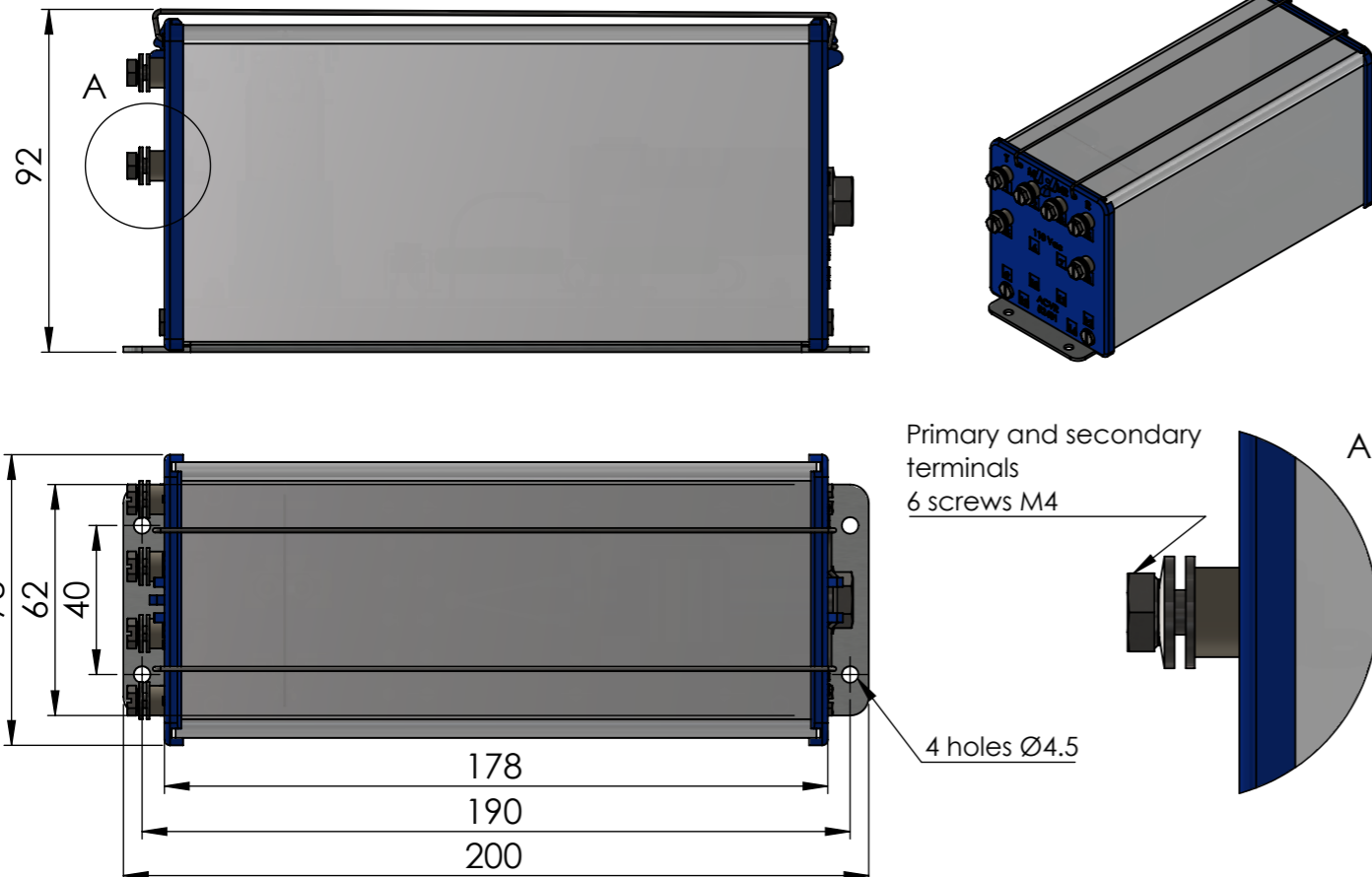


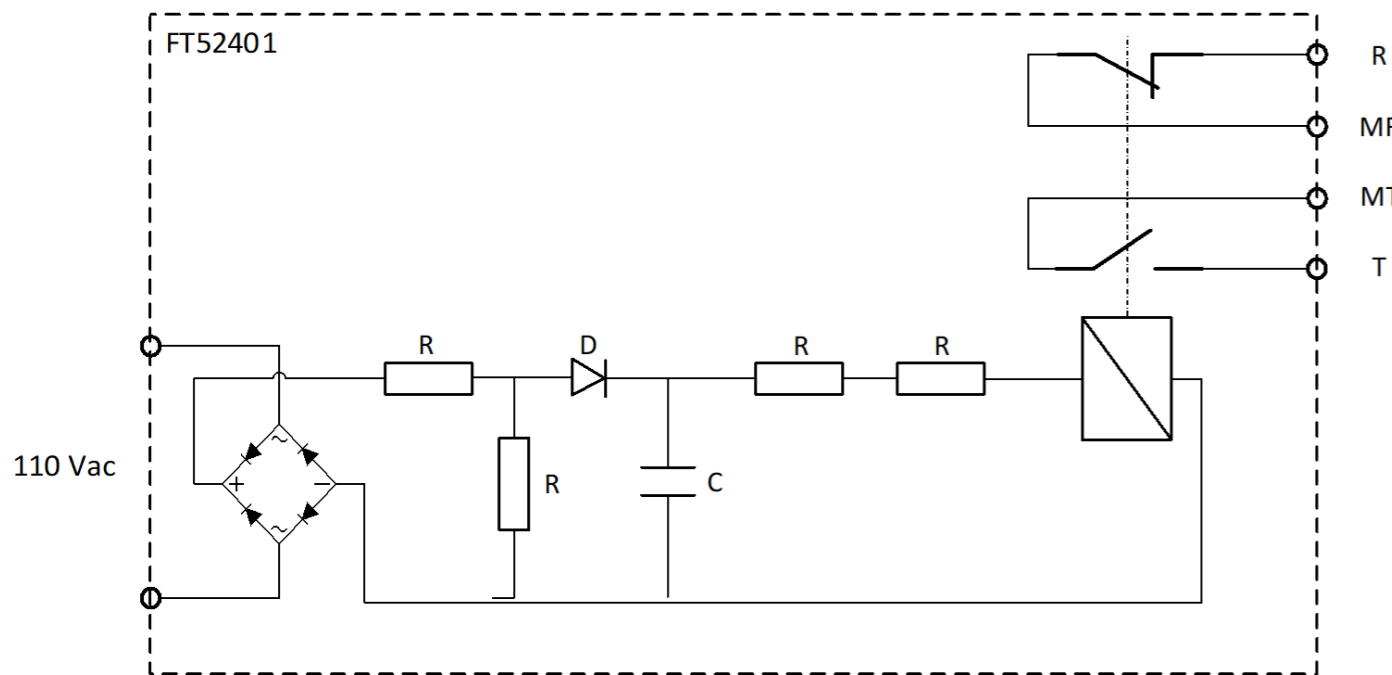
Généralités

Alternative voltage SCD relay under MK200 housing with components for ACVR function. Application for INDIA.

Main drawing



Electrical drawing



Generality

Normes références

Entitled	Standard
Electrical equipment :	NF EN 60077/ IEC 60077
Traction network supply :	NF EN 50163
Shock and vibration :	NF EN 61373
Salt mist :	96h/ NF EN 60068-2-11
Fire and smoke :	NF F 16-101(2)

Reference standard

Main Characteristics

Main	
Type of Relay :	Voltage relay
Type of current :	AC
Type of Housing :	MK200
Auxiliary voltage :	No
Weight :	0.65 Kgs

Contacts	
Number of Contacts :	1 N/O - 1 N/C
Contacts metalurgy :	Ag/ Pd
Contacts rating :	137 VDC - 0.34 A - L/R=30 ms
Electrical lifetime :	> 10 <sup>6</sup> Operations
Contact resistance :	< 20 mOhms

Environment	
Operating temperature :	-25°C...+70°C
Storing temperature :	-40°C...+85°C
Mounting position :	Any attitude

Connections & marking

Connections & gravage

T : N/O  
 MT : Ground N/O  
 MR : Ground N/C  
 R : N/C

Product reference and serial number engraved on this plate

Electrical Characteristics

Caractéristiques électriques		Circuit primaire/ Primary circuit	
Nominal current/ Voltage :	N.A.		
Max. perm. Current/ Voltage :	110 Vac		
Pick up Value :	74 Vac	Tol. : ± 3 Vac	
Drop out Value :	50 Vac	Tol. : ± 20%	
Latching/ BP reset :	No		
Push button test :	No		
Timer relay :	Yes		
During Pick up :	< 400 @ 80 Vac	ms.	
During Drop out :	600 @ 100 Vac	ms.	Tol. : ± 10%

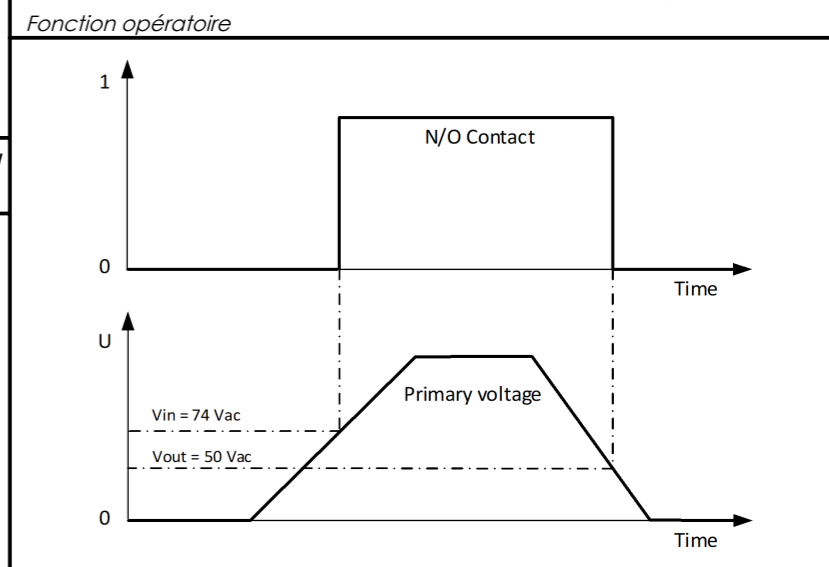
Further information

Informations complémentaires  
 Relay placed behind the 25kVac transformer

Dielectric strength checks

Essais diélectriques		Kv - 50 Hz	
1.5 Kv	Between primary and secondary		
1.5 Kv	Between each contact		
1.5 Kv	Between earth and other		

Operating function



Additional information

Caractéristiques Supplémentaires  
 Fonction(s) client : ACVR      N°(s) spécification : TGLS 300 496 1      Symbole/ Article : N.A.

REVISION	DESCRIPTION	DATE	APPROVED BY
A	Modification N°00795	17/12/1998	

REVISIONS

NOM	DATE	Entreprise/ Company :	DÉSIGNATION DU PRODUIT/ PRODUCT DESIGNATION:
AUTEUR. FT	Forli Frederic	27/08/2021	TECHNO-ELEC SAS
		Adresse/ Address :	Palpage voltage relay
		ZI de la castine, rue des sapins 54730 - GORCY - FRANCE	
		Marque déposée/ Brand name :	RÉFÉRENCE FICHE TECHNIQUE/ DATASHEET REFERENCE:
		TECHNO-ELEC - SERVO CONTACT	FT52401
		ECHELLE:1:2	FEUILLE 1 SUR 1

This drawing is the property of TECHNO-ELEC; It can't be reproduced or communicated without our written agreement.