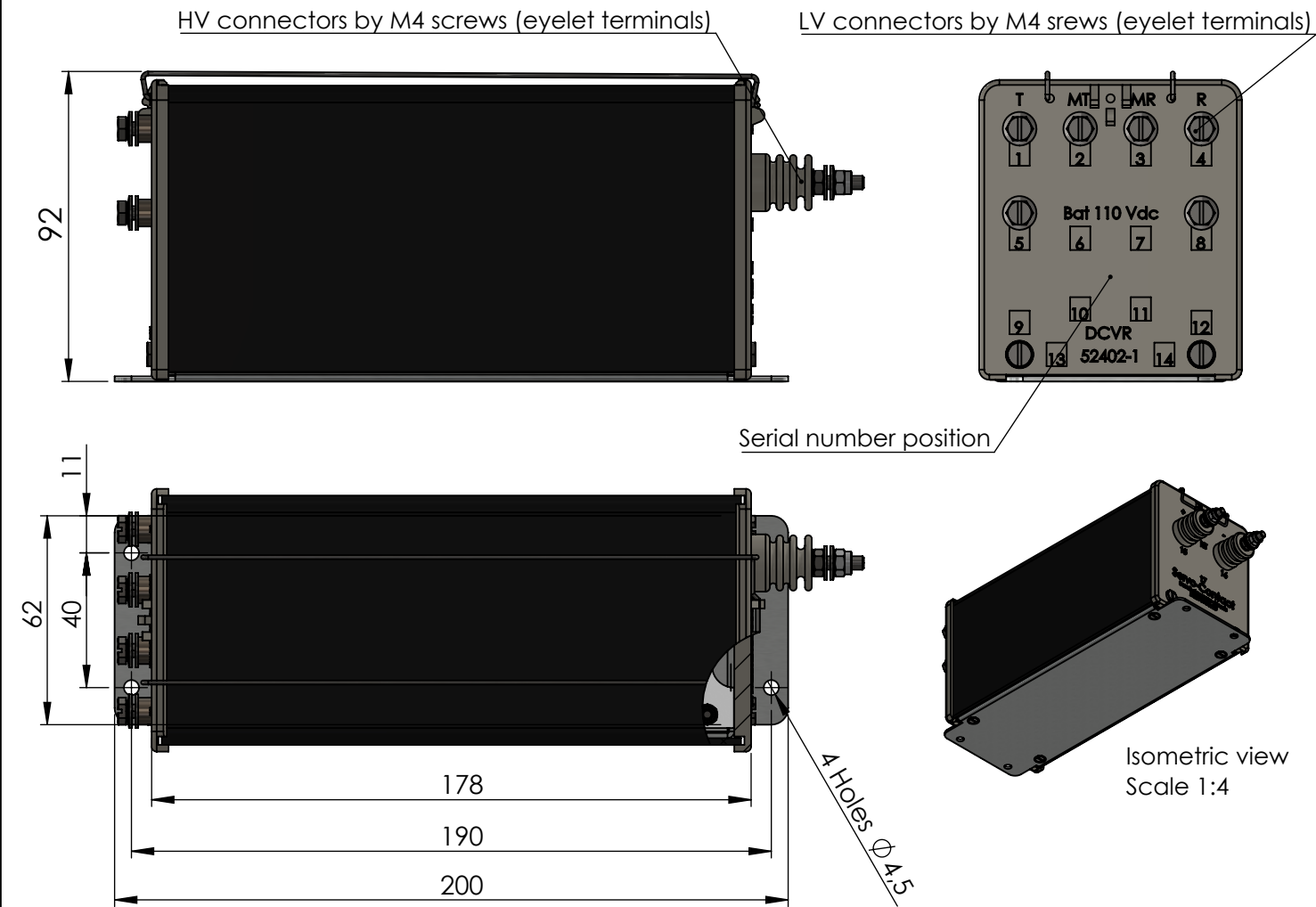


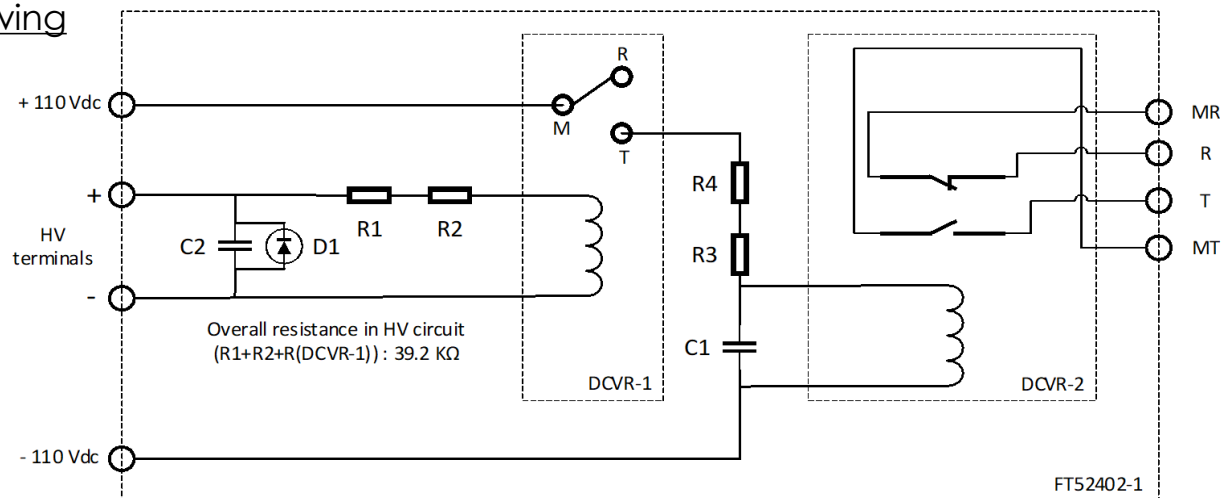
Généralités

1500 Vdc catenary voltage measuring relay. The relay is located at the output of a resistor bridge of 10/128 ratio. A secondary BT relay switch contacts. This relay is under MK200 HT housing.

Main drawing



Electrical drawing



Generality

Reference standard

Electrical Characteristics

Normes références

Entitled	Standard
Electrical equipment :	NF EN 60077/ IEC 60077
Traction network supply :	NF EN 50163
Shock and vibration :	NF EN 61373
Salt mist :	96h/ NF EN 60068-2-11
Fire and smoke :	NF F 16-101(2)

Caractéristiques électriques

DCVR-1 Relay :

Nominal current/ Voltage :	116 Vdc / 1500 Vdc
Max. perm. Current/ Voltage :	168 Vdc / 2100 Vdc
Pick up Value :	62.3 Vdc / 800 Vdc Tolerances : ± 5%
Drop out Value :	31 Vdc / 400 Vdc Tolerances : ± 5%
Latching/ BP reset :	N.A.
Push button test :	N.A.
Timer relay (150 Vdc) :	Yes
During Pick up :	N.A. ms. Tolerances : N.A.
During Drop out :	> 1800 ms. Tolerances : N.A.

Main Characteristics

Caractéristiques principales

Main

Type of Relay :	Voltage relay
Type of current :	DC
Type of Housing :	MK200
Auxiliary voltage : Yes	110 Vdc
Weight :	1.1 kg

Contacts

Number of Contacts :	1 N/O - 1 N/C
Contacts metalurgy :	Ag/ Pd
Contacts rating :	137 VDC - 0.34 A - L/R=20 ms
Electrical lifetime :	> 10 ⁶ Operations
Contact resistance :	< 20 mOhms

Environment

Operating temperature :	-25°C...+70°C
Storing temperature :	-40°C...+85°C
Mounting position :	Any attitude

DCVR-2 Relay :

Supply voltage :	110 Vdc (From 77 Vdc to 137 Vdc)
Pick up value :	≤ 70 Vdc
Drop out :	by DCVR-1
Timer relay (110 Vdc) :	Yes
During Pick up :	250 to 400 ms.
During Drop out :	500 to 700 ms.

Further information

Informations complémentaires

Voltage measure and temporisation of the HT relay (DCVR-1) is made by potentiometric chain with 10/128 ± 1%. Primary resistance must be equal to 39.2 kohms ± 5%.

DCVR-2 relay is supplied by a 110Vdc battery.

Dielectric strength checks

Essais diélectriques

Kv - 50 Hz

10 Kv	Between HV coil and other terminals with earth
2 Kv	Between LV coil and other terminals with earth
1.5 Kv	Between contacts and other terminals with earth
1.5 Kv	Between each contacts

Additional information

Caractéristiques Supplémentaires

Fonction(s) client : N.A. N°(s) spécification : N.A. Symbole/ Article : N.A.

NOM	DATE	Entreprise/ Company :	DÉSIGNATION DU PRODUIT/ PRODUCT DESIGNATION:
AUTEUR. FT	08/07/2019	TECHNO-ELEC SAS	Palpage DC voltage relay 1500 Vcc
Samuel Hadiouche		Adresse/ Address : ZI de la castine, rue des sapins 54730 - GORCY - FRANCE	



Marque déposée/ Brand name :
TECHNO-ELEC - SERVO CONTACT

RÉFÉRENCE FICHE TECHNIQUE/ DATASHEET REFERENCE:
FT52402-1

ECHELLE:1:2 FEUILLE 1 SUR 1

This drawing is the property of TECHNO-ELEC; It can't be reproduced or communicated without our written agreement.

REVISION	DESCRIPTION	DATE	APPROVED BY
A	Issue of technical specification	08/07/2019	Thibaud Colodie

REVISIONS