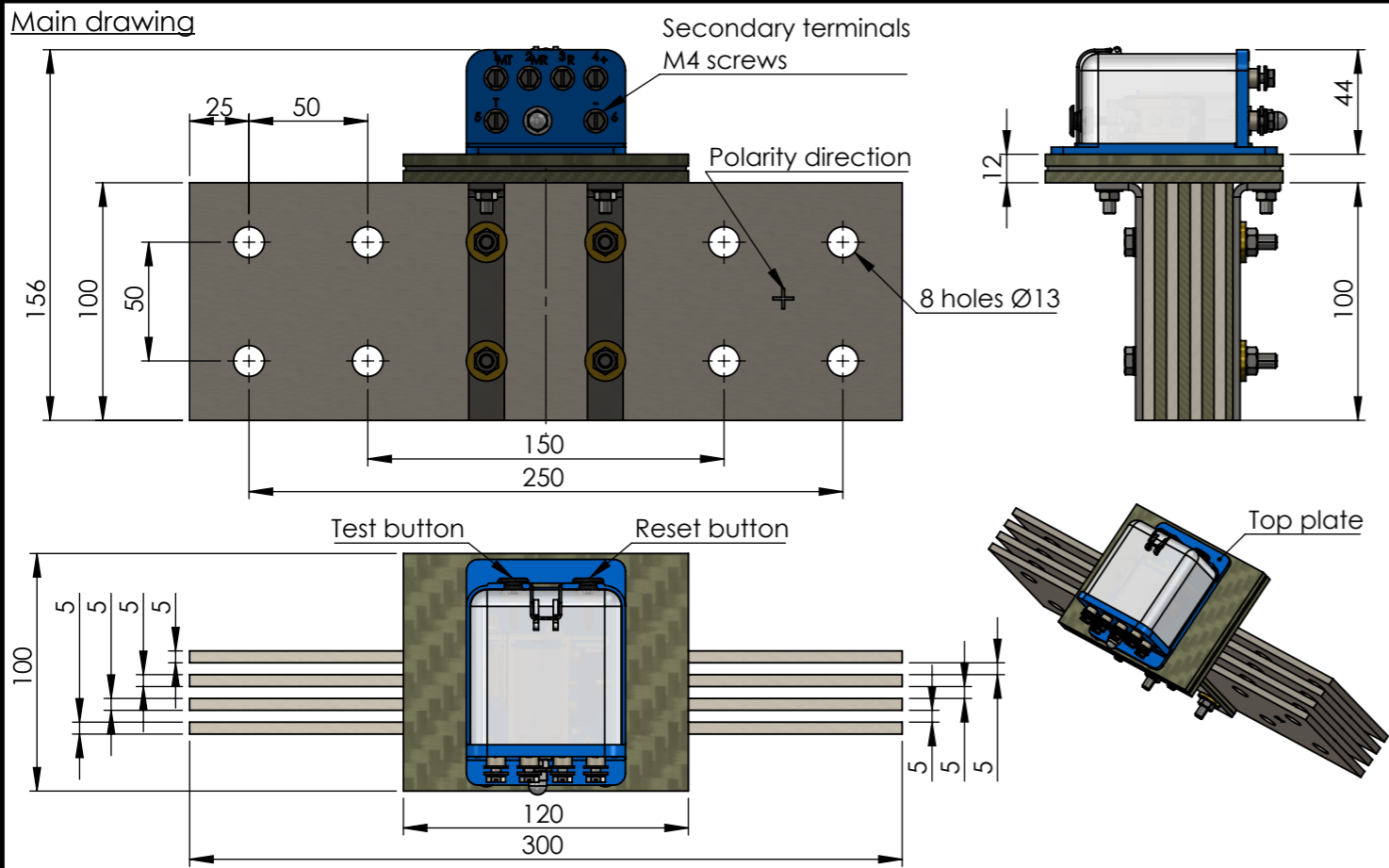
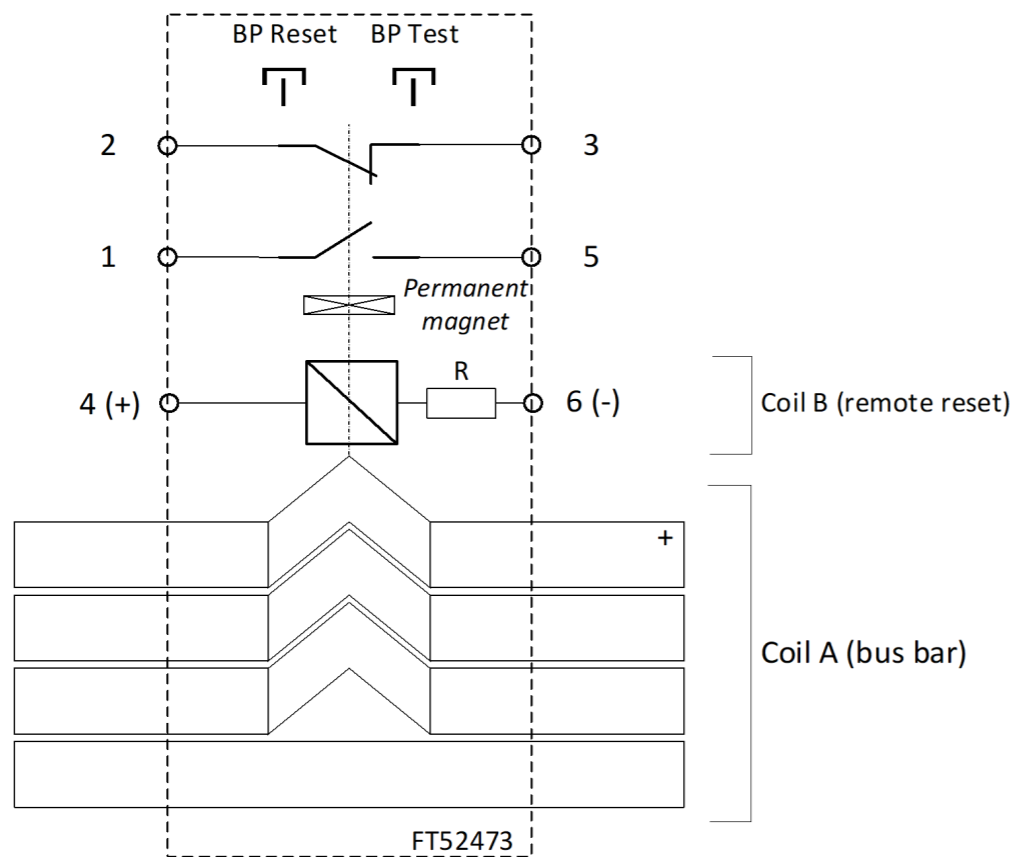


Généralités

Current PM relay under BB housing mounted on four 100x5 busbars.



Electrical drawing



Generality

Reference standard

Electrical Characteristics

Normes références

Entitled	Standard
Electrical equipment :	NF EN 60077/ IEC 60077
Traction network supply :	NF EN 50163
Shock and vibration :	NF EN 61373
Salt mist :	96h/ NF EN 60068-2-11
Fire and smoke :	N.A.

Caractéristiques électriques

Circuit primaire/ Primary circuit

Nominal current/ Voltage :	3500 Adc
Max. perm. Current/ Voltage :	N.A.
Pick up Value :	11000 Adc (coil A only powered)
Drop out Value :	< 48Vdc (coil B only powered)
Latching/ BP reset :	Yes
Push button test :	Yes
Power supply :	48Vdc for remote reset

Main Characteristics

Caractéristiques principales

Main	
Type of Relay :	Current relay
Type of current :	DC
Type of Housing :	BB
Auxiliary voltage :	Yes 48 Vdc
Weight :	6 Kgs

Further information

Informations complémentaires

Short time current allowed :  
5000 Adc | 2 hours  
10000 Adc | 1 minute

Relay reference and serial number engraved on the top plate

Dielectric strength checks

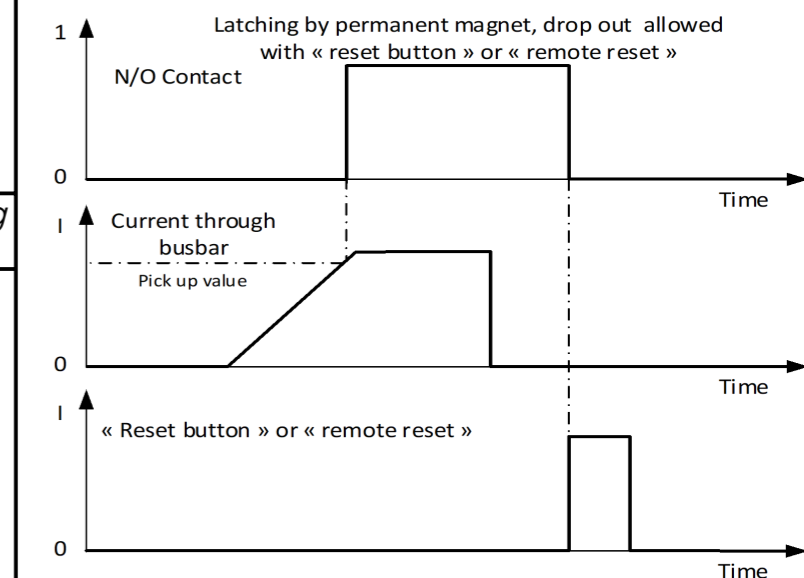
Essais diélectriques

Kv - 50 Hz

10 Kv	Between busbars and other
2 Kv	Between each contact
2 Kv	Between coil and contacts

Operating function

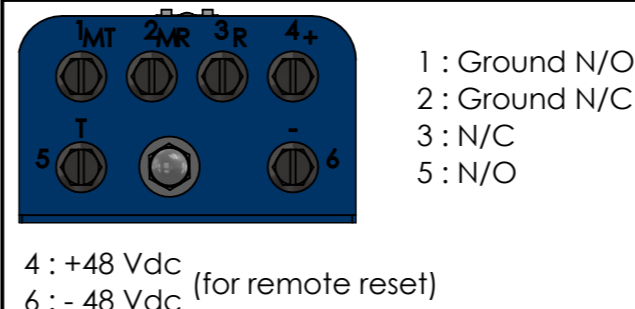
Fonction opératoire



Additional information

Connections & marking

Connections & gravage



Caractéristiques Supplémentaires

Fonction(s) client : N.A. N°(s) spécification : N.A. Symbole/ Article : N.A.

NOM	DATE	Entreprise/ Company :	DÉSIGNATION DU PRODUIT/ PRODUCT DESIGNATION:
Forli Frederic	25/08/2021	TECHNO-ELEC SAS Adresse/ Address : ZI de la castine, rue des sapins 54730 - GORCY - FRANCE	Overcharge relay



Marque déposée/ Brand name :	RÉFÉRENCE FICHE TECHNIQUE/ DATASHEET REFERENCE:
TECHNO-ELEC - SERVO CONTACT	FT52473

ECHELLE:1:2 FEUILLE 1 SUR 1

This drawing is the property of TECHNO-ELEC; It can't be reproduced or communicated without our written agreement.

REVISION	DESCRIPTION	DATE	APPROVED BY
A	Issue of technical specification	01/07/2002	