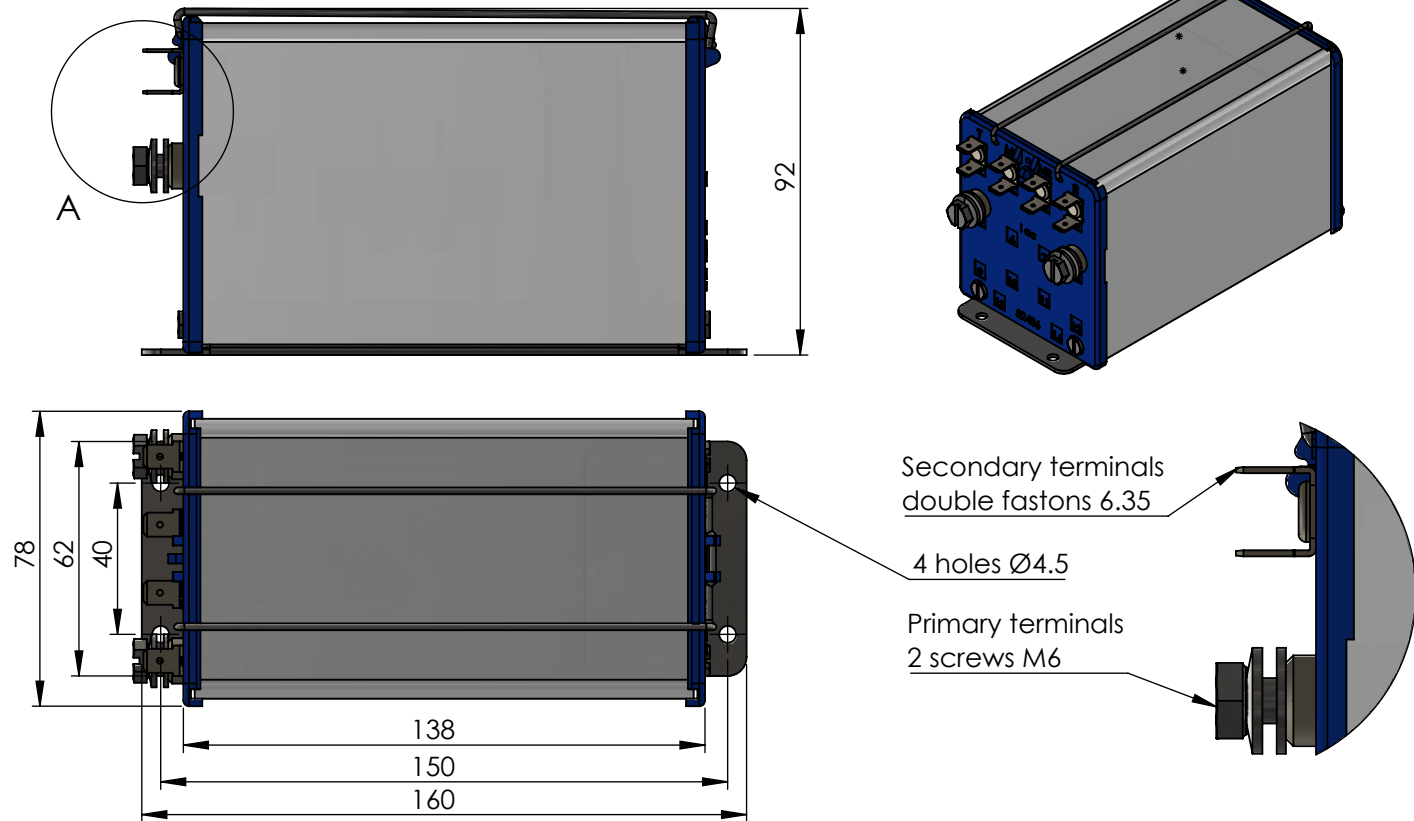


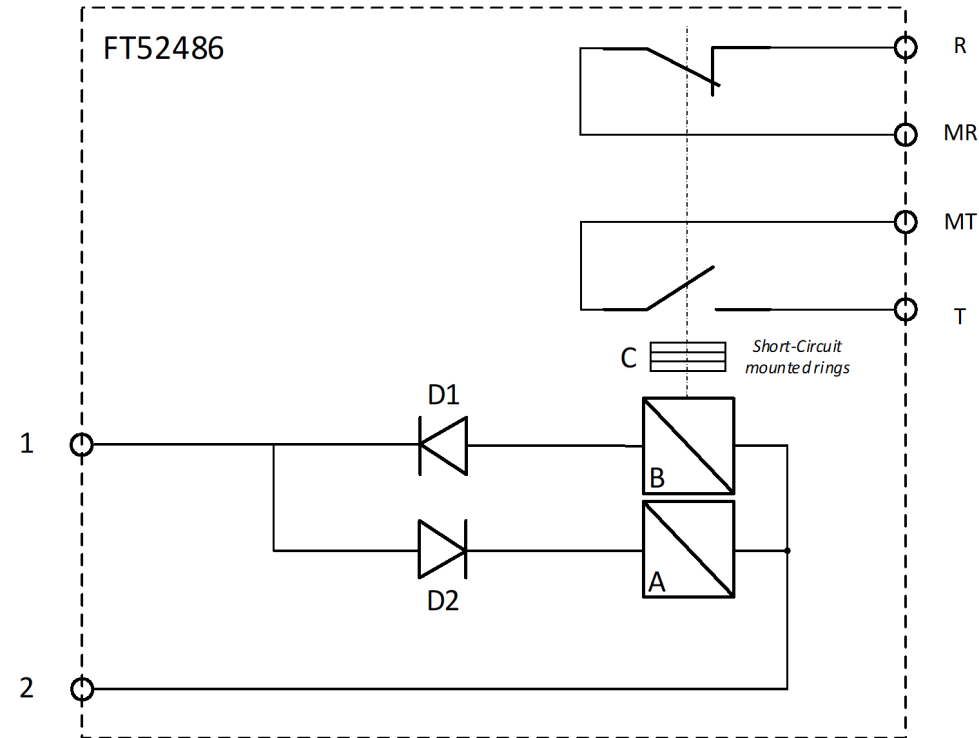
Généralités

Alternating current relay composed of a PM relay in an SCD box and its components, all mounted in a MK160 box for the Q1-L (M) and Q2-L (M) functions. Applications for TGV-ATLANTIQUE.

Main drawing



Electrical drawing



Generality

Reference standard

Electrical Characteristics

Normes références		Caractéristiques électriques	
Entitled	Standard	Circuit primaire/ Primary circuit	
Electrical equipment :	NF EN 60077/ IEC 60077	Nominal current/ Voltage :	5 Aac 50Hz
Traction network supply :	NF EN 50163	Max. perm. Current/ Voltage :	N.A.
Shock and vibration :	NF EN 61373	Pick up Value :	12 Aac 50Hz Tolerances : ± 1Aac
Salt mist :	96h/ NF EN 60068-2-11	Drop out Value :	Power Off Tolerances : N.A.
Fire and smoke :	NF F 16-101(2) requirement 0		

Main Characteristics

Further information

Caractéristiques principales		Informations complémentaires	
Main		The machine is powered by the secondary of a current transformer ratio 250/5 A, the primary of which is traversed by the current to be controlled.	
Type of Relay :	Current relay		
Type of current :	AC		
Type of Housing :	MK160		
Auxiliary voltage :	No		
Weight :	0.73 Kgs		

Contacts

Number of Contacts :	1 N/O - 1 N/C
Contacts metalurgy :	Ag/ Pd
Contacts rating :	90 VDC - 0.3 A - L/R=30 ms
Electrical lifetime :	> 10 ⁶ Operations
Contact resistance :	< 20 mOhms

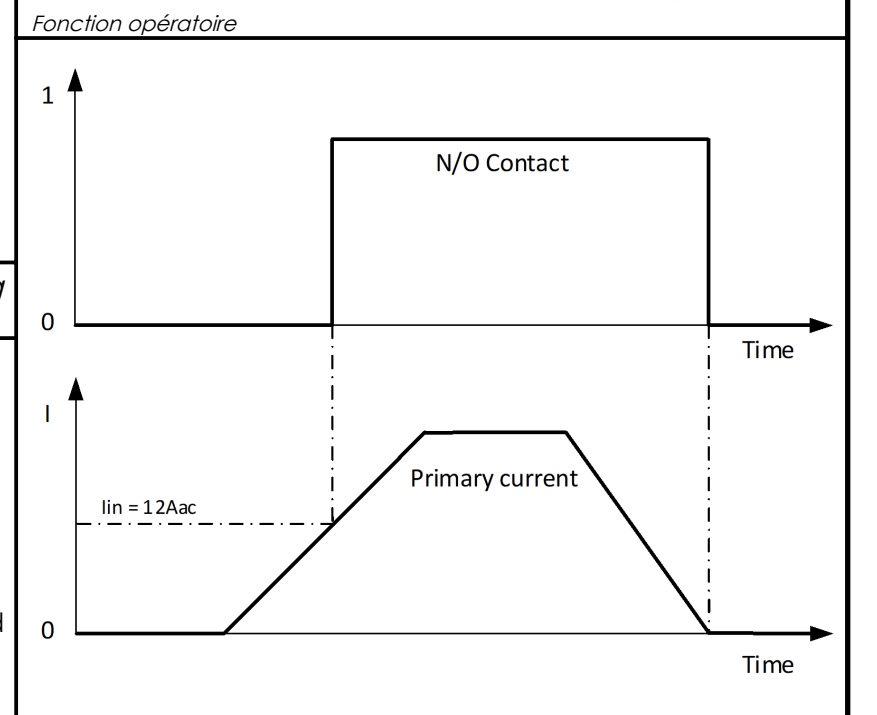
Environment

Operating temperature :	-25°C...+70°C
Storing temperature :	-40°C...+85°C
Mounting position :	Any attitude

Dielectric strength checks

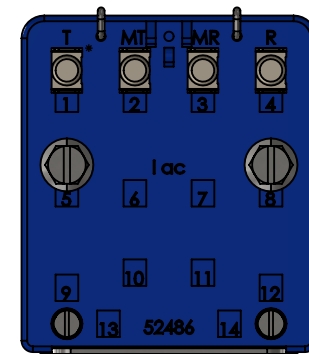
Essais diélectriques		Kv - 50 Hz
1.5 Kv	Between measure circuit and other	
1.5 Kv	Between each contact	
1.5 Kv	Between earth and other	

Operating function



Connections & marking

Connections & gravage



T : N/O
 MT : Ground N/O
 MR : Ground N/C
 R : N/C

Product reference and serial number engraved on this plate

Additional information

Caractéristiques Supplémentaires

Fonction(s) client : Q1-L(M) - Q2-L(M) N°(s) spécification : N.A. Symbole SNCF : 0.891.3827

REVISION	DESCRIPTION	DATE	APPROVED BY
B	Pick up tolerances changed from ±0.5Aac to ±1Aac	01/09/2016	Frederic Forli

Drawing type	N° SNCF	N° MANUFACTURER
Outline drawing	10-5091-177	3-10304
Wiring drawing	10-5091-177	3-10344

NOM/ NAME Forli Frederic		DATE 08/07/2019	Entreprise/ Company : TECHNO-ELEC SAS Adresse/ Address : ZI de la castine, rue des sapins 54730 - GORCY - FRANCE	DÉSIGNATION DU PRODUIT/ PRODUCT DESIGNATION: Current relay
		Marque déposée/ Brand name : TECHNO-ELEC - SERVO CONTACT		RÉFÉRENCE FICHE TECHNIQUE/ DATASHEET REFERENCE: FT52486
		ECHELLE:1:2		FEUILLE 1 SUR 1

This drawing is the property of TECHNO-ELEC; It can't be reproduced or communicated without our written agreement.

