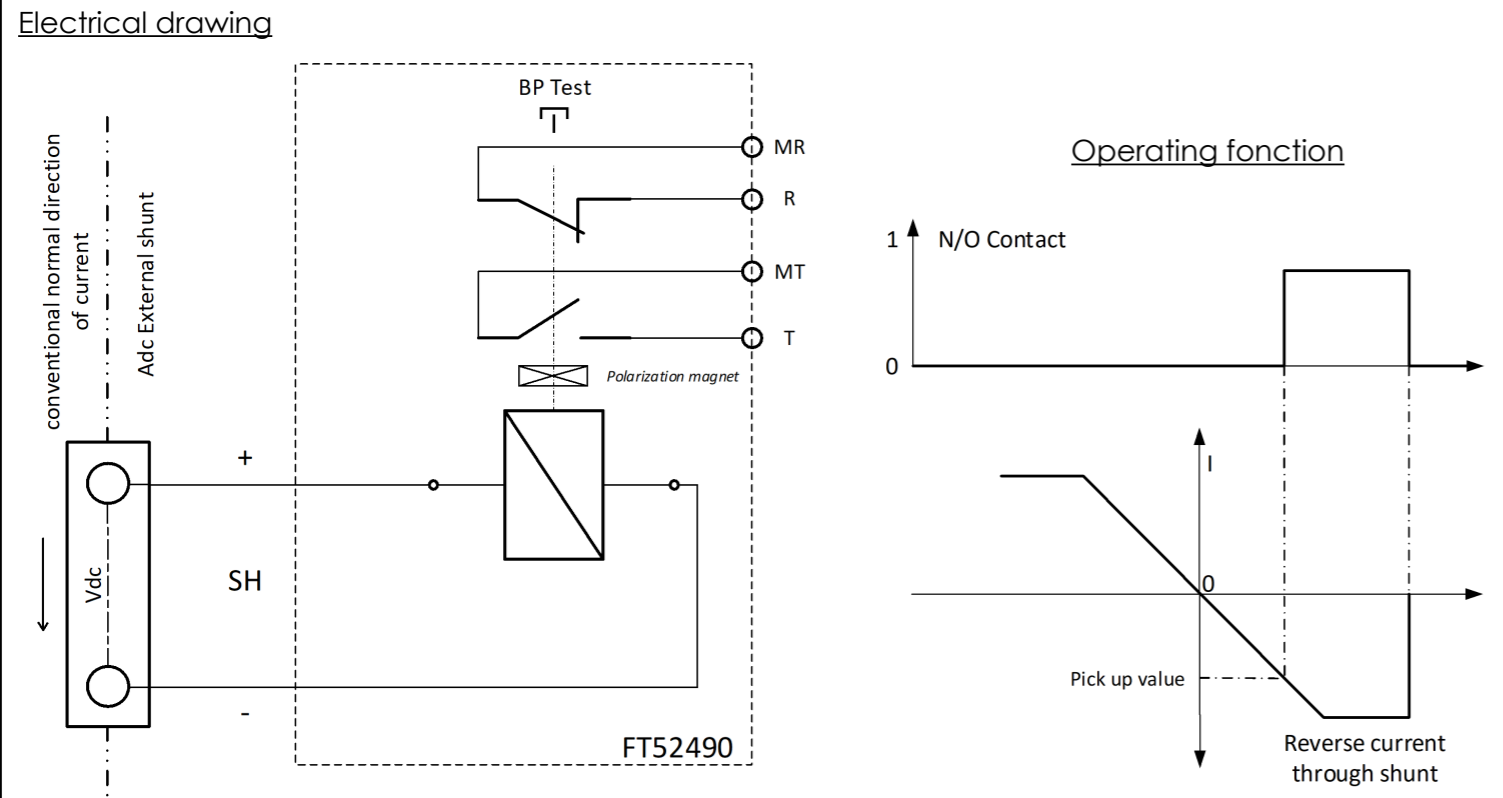
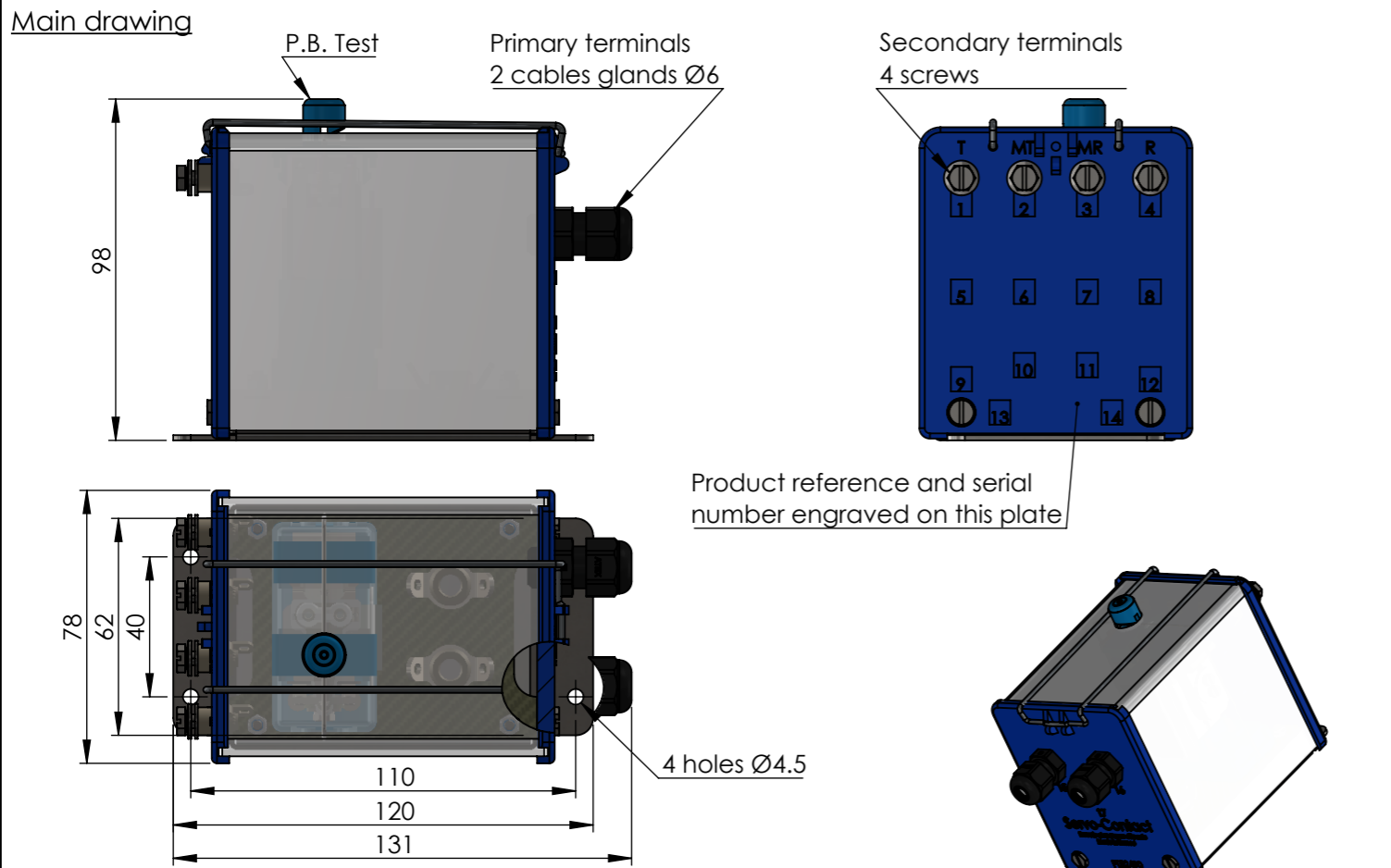


<i>Généralités</i>	<i>Generality</i>	<i>Reference standard</i>	<i>Electrical Characteristics</i> <small>Circuit primaire/ Primary circuit</small>
--------------------	-------------------	---------------------------	---

Return current PM relay under SCD housing all mount under MK120 housing.



Normes références	
Entitled	Standard
Electrical equipment :	NF EN 60077/ IEC 60077
Traction network supply :	NF EN 50163
Shock and vibration :	NF EN 61373
Salt mist :	96h/ NF EN 60068-2-11
Fire and smoke :	N.A.

Nominal current/ Voltage :	See infos
Max. perm. Current/ Voltage :	See infos
Pick up Value :	[4:6] mVdc Tol. : N.A.
Drop out Value :	Power Off Tol. : N.A.
Latching/ BP reset :	No
Push button test :	Yes
Timer relay :	No

Main Characteristics

Caractéristiques principales	
<i>Main</i>	
Type of Relay :	Current relay
Type of current :	DC
Type of Housing :	MK120
Auxiliary voltage :	No
Weight :	0.53 Kgs

Further information

Informations complémentaires

This relay works on two different shunt, one 3000 Adc 60mV and one 1500 Adc 60mV

In the direct direction of the polarity engraved on the case, the relay must not pick up for a current of 3600 Adc or 1800 Adc depending on the shunt, corresponding to 72mV

- SHUNT 3000 Adc 60mV
In the opposite direction to the polarity engraved on the case, the relay must pick up for a value between 200A and 300A, corresponding to 4mV to 6mV.

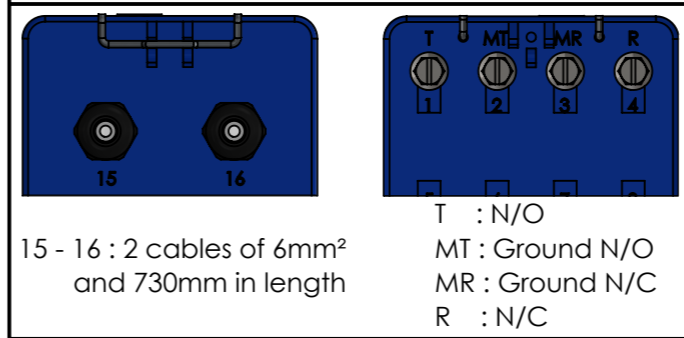
- SHUNT 1500 Adc 60mV
In the opposite direction to the polarity engraved on the case, the relay must pick up for a value between 100A and 150A, corresponding to 4mV to 6mV.

- Drop out:
Power cut

- Note: the relays are calibrated and supplied with their cables and lugs for connection to the shunt

<i>Contacts</i>	
Number of Contacts :	1 N/O - 1 N/C
Contacts metalurgy :	Ag/ Pd
Contacts rating :	90 VDC - 0.3 A - L/R=30 ms
Electrical lifetime :	> 10 ⁶ Operations
Contact resistance :	< 20 mOhms
<i>Environment</i>	
Operating temperature :	-25°C...+70°C
Storing temperature :	-40°C...+85°C
Mounting position :	Any attitude

Connections & marking



<i>Dielectric strength checks</i>	
<i>Essais diélectriques</i>	
10 Kv	Between primary and secondary
2 Kv	Between contact and coil with earth

Additional information

Caractéristiques Supplémentaires

Fonction(s) client : N.A. N°(s) spécification : N.A. Symbole/ Article : N.A.

A	Issue of technical specification	10/06/2004	C.W
REVISION	DESCRIPTION	DATE	APPROVED BY

	NOM : Forli Frederic DATE : 24/08/2021 AUTEUR : FT	Entreprise/ Company : TECHNO-ELEC SAS Adresse/ Address : ZI de la castine, rue des sapins 54730 - GORCY - FRANCE	DÉSIGNATION DU PRODUIT/ PRODUCT DESIGNATION: <h2 style="text-align: center;">Return current relay</h2>
		Marque déposée/ Brand name : TECHNO-ELEC - SERVO CONTACT RÉFÉRENCE FICHE TECHNIQUE/ DATASHEET REFERENCE: <h2 style="text-align: center;">FT52490</h2>	
		ECHELLE:1:2 FEUILLE 1 SUR 1	
This drawing is the property of TECHNO-ELEC; It can't be reproduced or communicated without our written agreement.			