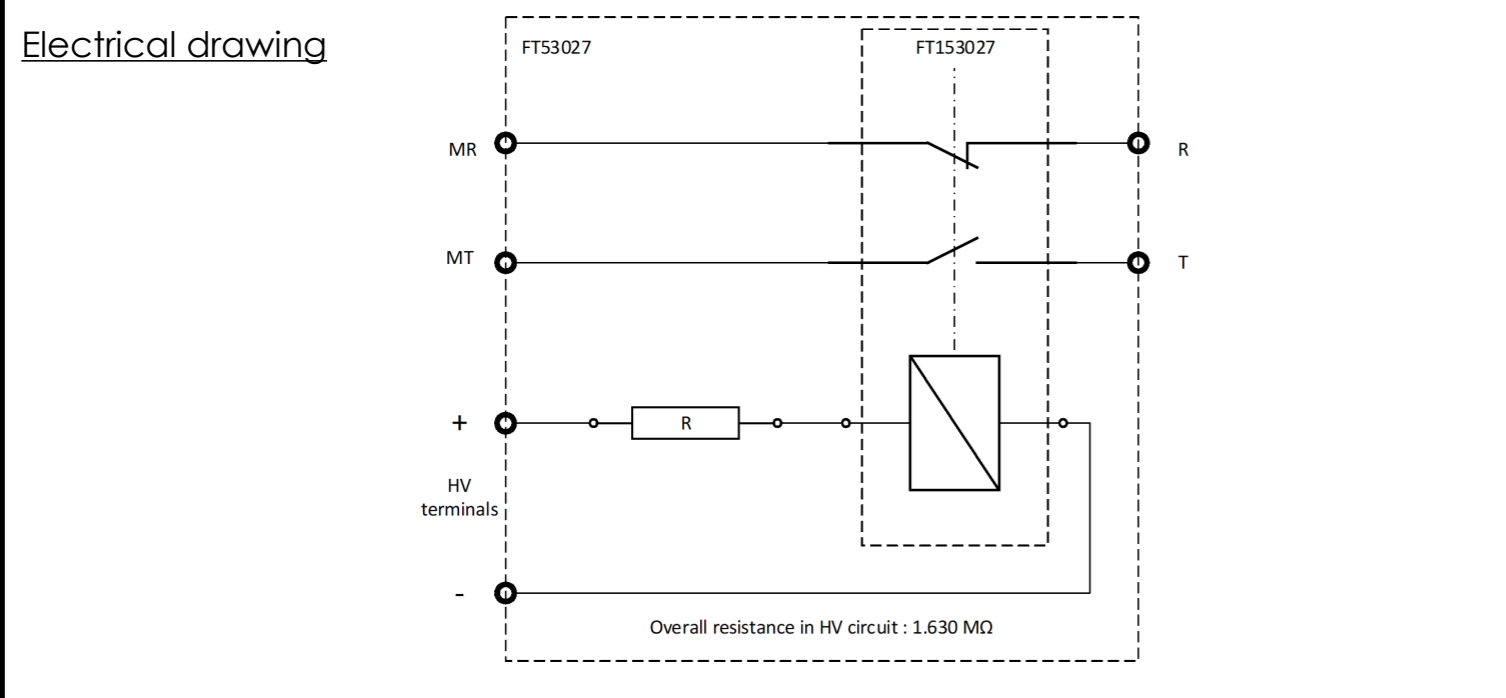
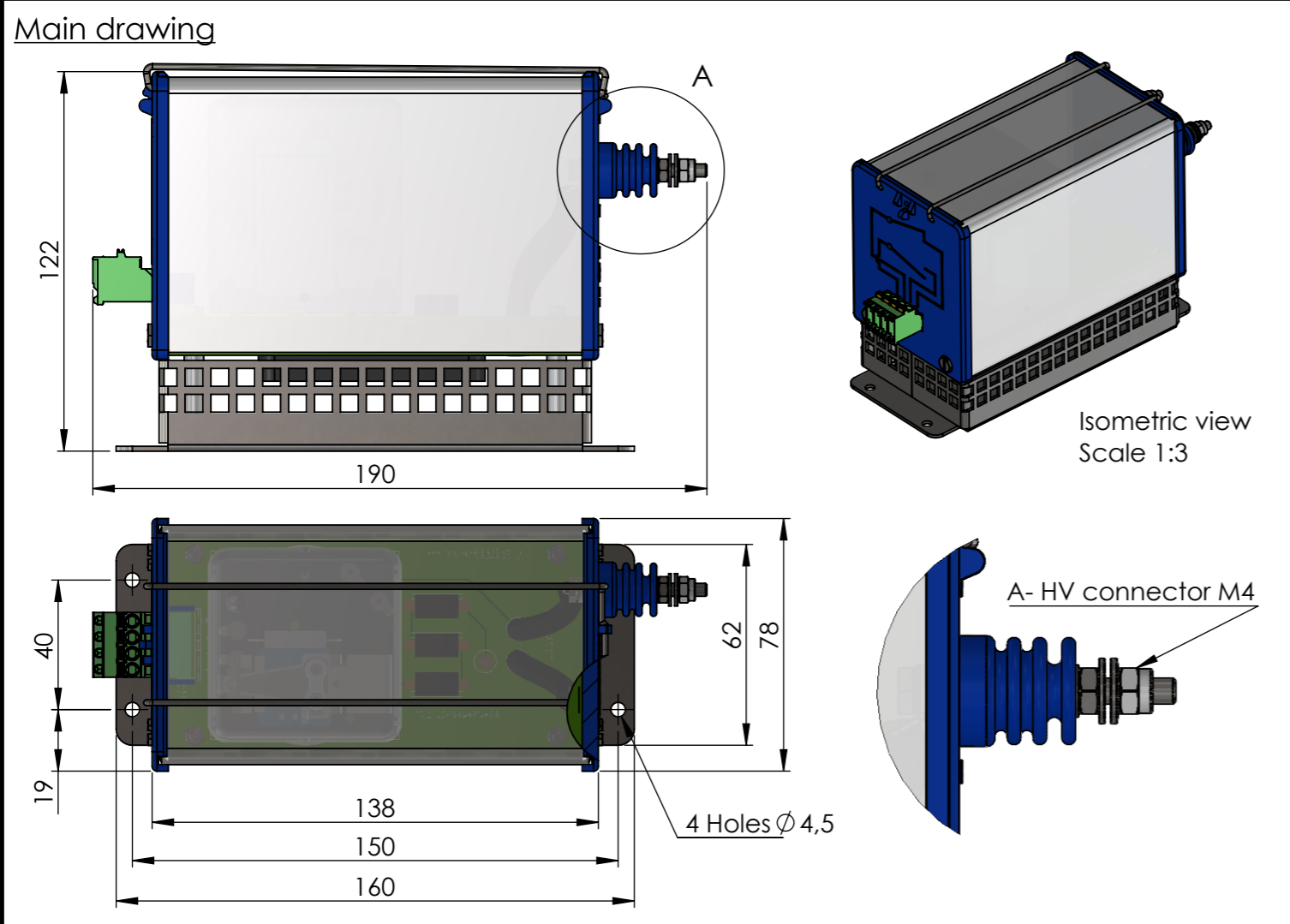


<i>Généralités</i> Presence voltage relay for 3000 Vdc substations. SC3 relay mounted on MK160 CAM housing with isolated LV connectors.	<i>Generality</i>	<i>Reference standard</i>	<i>Electrical Characteristics</i> <small>Circuit primaire/ Primary circuit</small>																										
	<i>Normes références</i>	<table border="1" style="width:100%; border-collapse: collapse;"> <tr> <th>Entitled</th> <th>Standard</th> </tr> <tr> <td>Insulation coordination :</td> <td>EN 50123 / EN 50124-1</td> </tr> <tr> <td>Traction network supply :</td> <td>EN 50163</td> </tr> <tr> <td>Shock and vibration :</td> <td>EN 61373</td> </tr> <tr> <td>Salt mist :</td> <td>96h/ NF EN 60068-2-11</td> </tr> <tr> <td>Fire and smoke :</td> <td>EN 45545</td> </tr> </table>	Entitled	Standard	Insulation coordination :	EN 50123 / EN 50124-1	Traction network supply :	EN 50163	Shock and vibration :	EN 61373	Salt mist :	96h/ NF EN 60068-2-11	Fire and smoke :	EN 45545	<table border="1" style="width:100%; border-collapse: collapse;"> <tr> <td>Nominal current/ Voltage :</td> <td>3000 Vdc</td> </tr> <tr> <td>Max. perm. Current/ Voltage :</td> <td>3600 Vdc</td> </tr> <tr> <td>Pick up Value :</td> <td>2400 Vdc Tol. : ± 5%</td> </tr> <tr> <td>Drop out Value :</td> <td>1600 Vdc Tol. : ± 5%</td> </tr> <tr> <td>Hanging/ BP reset :</td> <td>No</td> </tr> <tr> <td>Push button test :</td> <td>No</td> </tr> <tr> <td>Timer relay :</td> <td>No</td> </tr> </table>	Nominal current/ Voltage :	3000 Vdc	Max. perm. Current/ Voltage :	3600 Vdc	Pick up Value :	2400 Vdc Tol. : ± 5%	Drop out Value :	1600 Vdc Tol. : ± 5%	Hanging/ BP reset :	No	Push button test :	No	Timer relay :	No
Entitled	Standard																												
Insulation coordination :	EN 50123 / EN 50124-1																												
Traction network supply :	EN 50163																												
Shock and vibration :	EN 61373																												
Salt mist :	96h/ NF EN 60068-2-11																												
Fire and smoke :	EN 45545																												
Nominal current/ Voltage :	3000 Vdc																												
Max. perm. Current/ Voltage :	3600 Vdc																												
Pick up Value :	2400 Vdc Tol. : ± 5%																												
Drop out Value :	1600 Vdc Tol. : ± 5%																												
Hanging/ BP reset :	No																												
Push button test :	No																												
Timer relay :	No																												



*Main Characteristics*

*Caractéristiques principales*

Main

Type of Relay :	Voltage relay
Type of current :	DC
Type of Housing :	MK160
Auxiliary voltage :	No
Weight :	0.75 Kgs

Contacts

Number of Contacts :	1 N/O - 1 N/C
Contacts metalurgy :	Ag/ Pd
Contacts rating :	110 Vdc 0.3 A - L/R=30 ms
Electrical lifetime :	> 10 <sup>6</sup> Operations
Contact resistance :	< 20 mOhms

Environment

Operating temperature :	-25°C...+70°C
Storing temperature :	-40°C...+85°C
Mounting position :	Any attitude

*Further information*

*Informations complémentaires*

Maximum non permanent voltage < 5 min : 4000 Vdc  
 Low voltage connectors : Push-in type Phoenix contact connectors - FKCVR-2-5-4-ST/1909731.

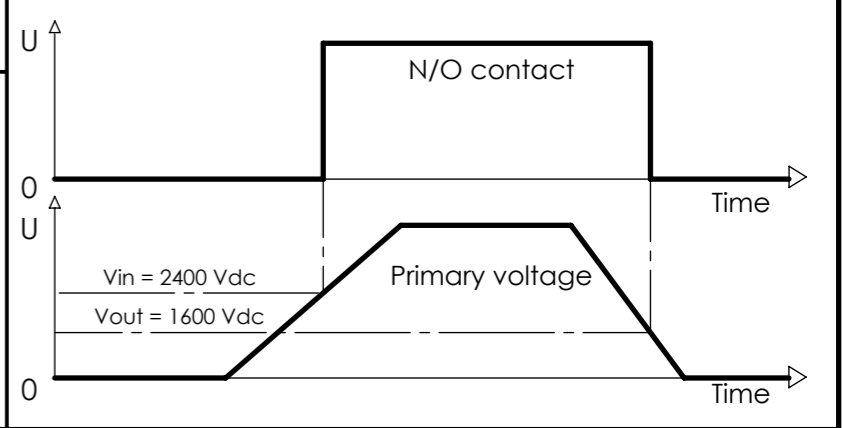
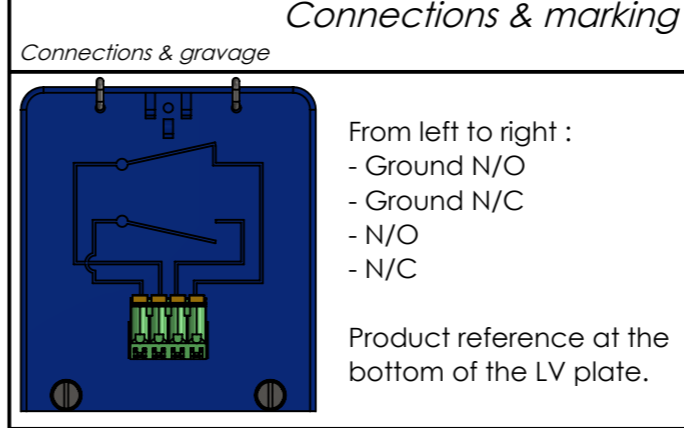
*Dielectric strength checks*

*Essais diélectriques* Kv - 50 Hz

11.5 Kv	Between primary and secondary + ground
1.5 Kv	Between each contact
2.5 Kv	Between secondary and ground

*Operating function*

*Fonction opératoire*



A	Issue of technical specification	07/04/2021	Frederic Forli
REVISION	DESCRIPTION	DATE	APPROVED BY
REVISIONS			

	NOM : Thibaud Colodie DATE : 25/01/2021	Entreprise/ Company : TECHNO-ELEC SAS Adresse/ Address : ZI de la castine, rue des sapins 54730 - GORCY - FRANCE	DÉSIGNATION DU PRODUIT/ PRODUCT DESIGNATION: <h2 style="text-align: center;">Presence voltage relay 3000Vdc</h2>
		Marque déposée/ Brand name : TECHNO-ELEC - SERVO CONTACT	RÉFÉRENCE FICHE TECHNIQUE/ DATASHEET REFERENCE: <h2 style="text-align: center;">FT53027</h2>
		ECHELLE:1:2	FEUILLE 1 SUR 1
This drawing is the property of TECHNO-ELEC; It can't be reproduced or communicated without our written agreement.			