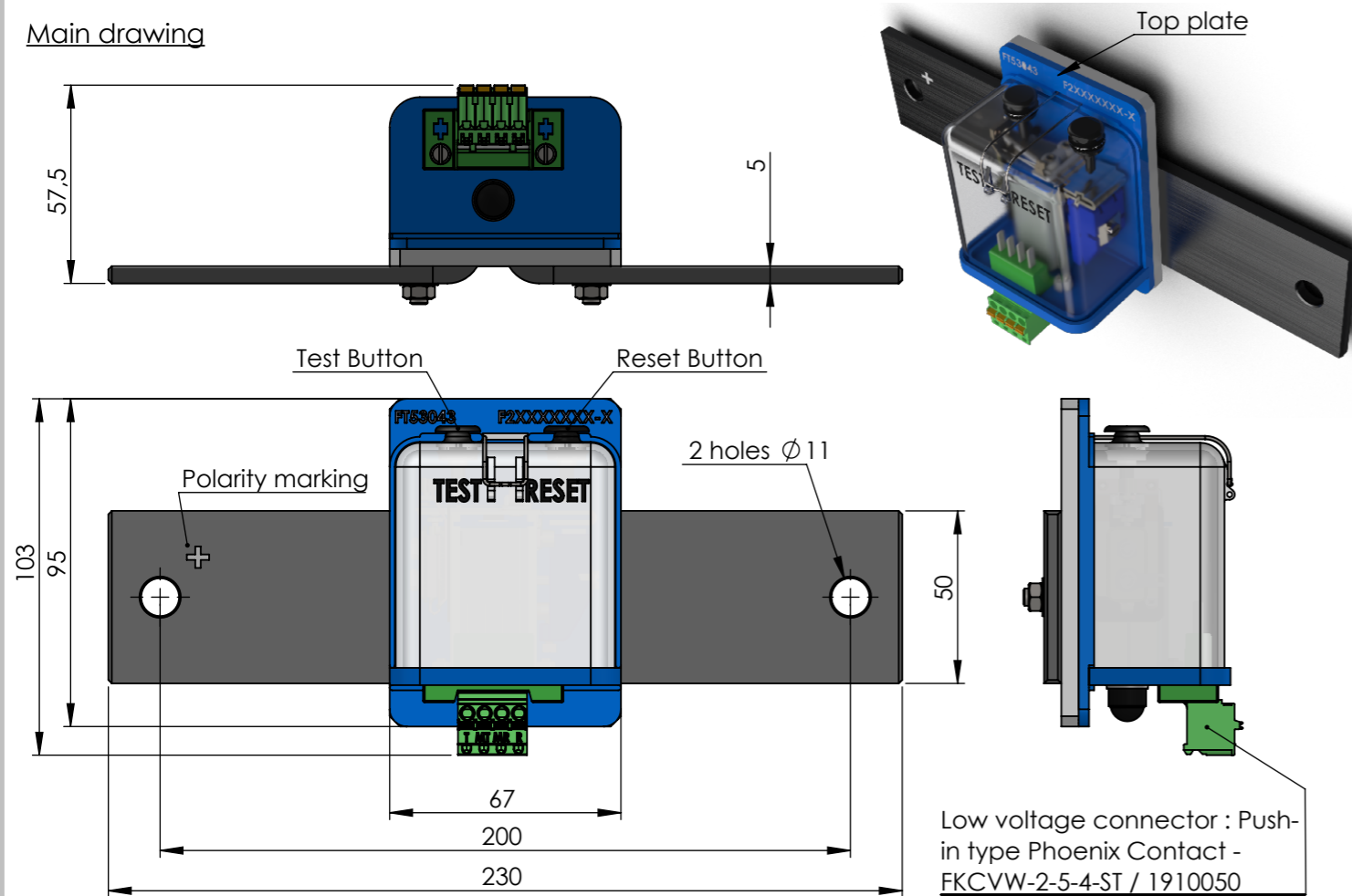


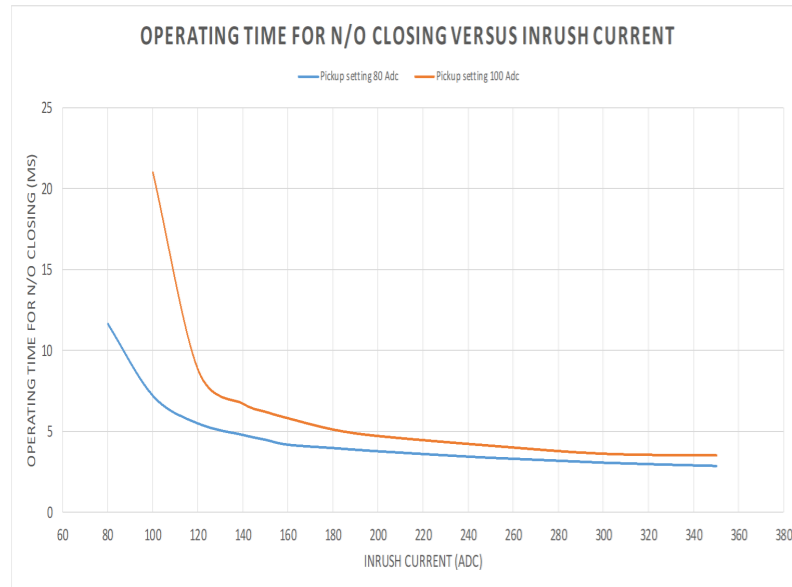
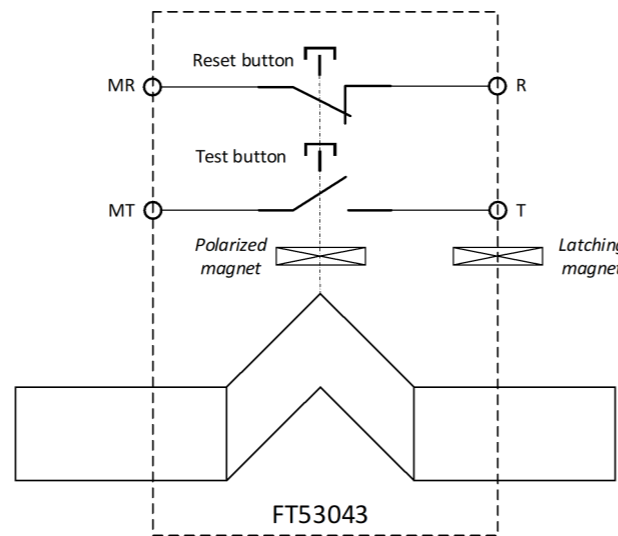
Généralités

PM type relay under BB housing mounted on 50*5 busbar, Earth fault detection function with polarized system. For use in substations.

Main drawing



Electrical drawing



Generality

Reference standard

Electrical Characteristics

Normes références		Caractéristiques électriques	
Entitled	Standard	Circuit primaire/ Primary circuit	
Electrical equipment :	NF EN 60077/ IEC 60077	Nominal current/ Voltage :	N.A.
Traction network supply :	NF EN 50163	Max. perm. Current/ Voltage :	700 Adc
Shock and vibration :	NF EN 61373	Pick-up Value :	[80:100] Adc Tol. : ±10%
Salt mist :	96h/ NF EN 60068-2-11	Dropout Value :	Push Button Tol. : N.A.
Fire and smoke :	EN 45545	Latching/ BP reset :	Yes
		Push button test :	Yes
		If no latching value specified on order, default setting : 80 Adc	
		For response time information, check out graph on the left	

Main Characteristics

Further information

Caractéristiques principales		Informations complémentaires	
Main			
Type of Relay :	Current relay	Maximum short time current allowed : According to ambient temperature set at 40°C	
Type of current :	AC/DC	For 50 ms : 110 kA For 100 ms : 80 kA For 200 ms : 55 kA For 250 ms : 50 kA For 500 ms : 35 kA	
Type of Housing :	BB	Relation between AC and DC for different pickup values (±10%) : 80 Adc 60 Aac - 100 Adc 75 Aac	
Auxiliary voltage :	No		
Weight :	0.8 Kg		

Contacts

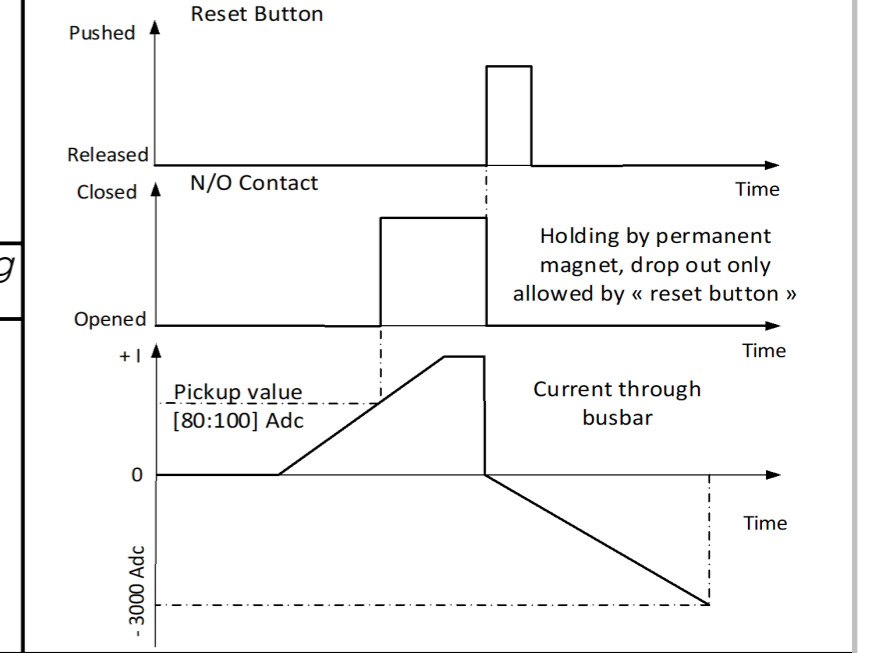
Number of Contacts :	1 N/O - 1 N/C
Contacts metalurgy :	Ag/ Pd
Contacts rating :	90 VDC - 0.3 A - L/R=30 ms
Electrical lifetime :	> 10 ⁶ Operations
Contact resistance :	< 20 mOhms

Environment

Operating temperature :	-25°C...+70°C
Storing temperature :	-40°C...+85°C
Mounting position :	Any attitude

Dielectric strength checks	
Essais diélectriques	
8.5 Kv	Between primary and secondary
1.5 Kv	Between each contact

Operating function



Connections & marking

Connections & gravage

T : N/O
MT : Ground N/O
MR : Ground N/C
R : N/C

Relay reference and serial number engraved on the top plate.
Pickup setting value marked on the front face.

Additional information

Caractéristiques Supplémentaires		
Fonction(s) client : N.A.	N°(s) spécification : N.A.	Symbole/ Article : N.A.

NOM	DATE	Entreprise/ Company :	DÉSIGNATION DU PRODUIT/ PRODUCT DESIGNATION:
AUTEUR: FT Thibaud Colodie	09/09/2022	TECHNO-ELEC SAS Adresse/ Address : ZI de la castine, rue des sapins 54730 - GORCY - FRANCE	Earth fault detection polarized relay
		Marque déposée/ Brand name :	RÉFÉRENCE FICHE TECHNIQUE/ DATASHEET REFERENCE:
		TECHNO-ELEC - SERVO CONTACT	FT53043
		ECHELLE:1:2	
		FEUILLE 1 SUR 1	

REVISION	DESCRIPTION	DATE	APPROVED BY
A	Issue of technical specification	20/09/2022	Frederic Forli

REVISIONS



This drawing is the property of TECHNO-ELEC; It can't be reproduced or communicated without our written agreement.